

→ **Speedy 360**  
Manual



BA 8030\_2.2\_EN (12/2016)  
ENGLISH

## Trotec Laser GmbH

Linzer Straße 156  
A – 4600 Wels  
AUSTRIA

Tel.: ++43/7242/239-7000  
Fax: ++43/7242/239-7380  
E-Mail: [techsupport@troteclaser.com](mailto:techsupport@troteclaser.com)  
[www.troteclaser.com](http://www.troteclaser.com)

### Technical Changes

Technical specifications are subject to change without notice. Trotec Laser GmbH reserves the right to improve or modify any products described herein without prior notice.

### © Copyright

This documentation with all illustrations is intellectual property of Trotec Laser GmbH. The entire documentation is given to the user for personal use only. Reproduction, translation or any distribution to third parties is not permitted without the prior consent of Trotec Laser GmbH. Any infringement will be prosecuted.

## Contents

<b>1</b>	<b>General</b>	<b>6</b>
1.1	Information about this manual	6
1.1.1	Storage of the manual	6
1.1.2	Complementary documentation	6
1.2	Explanation of symbols	7
1.3	Liability and warranty	8
1.4	Scope of delivery (standard configuration)	9
1.5	Type plate	10
<b>2</b>	<b>Safety</b>	<b>11</b>
2.1	Safety principles	11
2.1.1	Intended use	11
2.1.2	Improper use	11
2.1.3	Machine modification	12
2.1.4	Operating modes	12
2.1.6	Safety norms and regulations	13
2.2	Laser safety	14
2.2.1	Laser classification	14
2.3	Area of responsibility	15
2.3.1	Responsibilities of the operator	15
2.3.2	Responsibilities of the operating personnel	16
2.4	Operating and service personnel requirements	17
2.5	Warning and information labels	18
2.6	Safety devices	20
2.6.1	Main switch	21
2.6.2	Key switch	21
2.6.3	Temperature sensor reset button (option)	21
2.6.4	Emergency stop button (only with temperature sensor option)	22
2.6.5	Interlock switches	22
2.6.6	Side panels	22
2.6.7	Acrylic top lid	22
2.6.8	In case of safety device malfunction	23
2.7	In case of an emergency	23
2.7.1	In case of malfunction	23
2.7.2	In case of accident; First Aid	23
2.8	Specific hazards	24
2.8.1	Fire hazard	24
2.8.2	Gases, fumes and dust	24
2.8.3	Reflecting material	25
2.8.4	Optical components	26
<b>3</b>	<b>EC Declaration of Conformity</b>	<b>28</b>
<b>4</b>	<b>Technical Data</b>	<b>29</b>
4.1	Dimensions and weight	29
4.2	Data sheet	30
4.3	Electrical requirements of the machine	33
4.4	Exhaust system requirements	34
4.5	Computer requirements	35

4.6	Materials .....	36
<b>5</b>	<b>Machine overview.....</b>	<b>38</b>
5.1	General overview.....	38
5.1.1	Operation panel.....	39
5.1.2	Front door.....	43
5.2	Tables (multifunctional table concept).....	44
5.2.1	Multifunctional base frame .....	44
5.2.2	Ferromagnetic engraving table (standard).....	44
5.2.3	Vacuum table.....	45
5.2.4	Cutting tables.....	45
5.2.5	Additional tabletops .....	46
5.3	Lenses .....	47
5.4	Nozzles .....	47
<b>6</b>	<b>Transport, unloading and packaging .....</b>	<b>48</b>
6.1	Safety notes .....	48
6.2	Delivery state .....	48
6.1	Transport inspection and reporting of defects .....	49
6.2	Temperature and humidity.....	49
6.3	Required tools for unloading and transport .....	49
6.4	Transport conditions .....	49
6.5	Unpacking the machine .....	50
6.6	Relocation of the machine .....	52
<b>7</b>	<b>Storage .....</b>	<b>53</b>
7.1	Temperature and humidity.....	53
7.2	Storage conditions .....	53
<b>8</b>	<b>Setup and installation .....</b>	<b>54</b>
8.1	Safety notes .....	54
8.2	Operating environment .....	55
8.2.1	Temperature and humidity .....	55
8.2.2	Subsoil conditions .....	55
8.2.3	Environmental conditions .....	55
8.2.4	Space requirements .....	56
8.3	Setup and installation .....	56
8.4	Connections.....	57
8.4.1	Overview.....	57
8.4.2	Connecting the mains.....	58
8.4.3	Connecting the PC .....	58
8.4.4	Connecting a Trotec exhaust system.....	59
<b>9</b>	<b>Operation.....</b>	<b>60</b>
9.1	Before operation .....	60
9.2	Software.....	60
9.3	Power ON/OFF .....	61
9.3.1	Power ON .....	61
9.3.2	Power OFF .....	61
9.4	Lens placement .....	62
9.4.1	Lens position .....	62
9.5	Table placement .....	63

9.6	Focusing methods .....	64
9.6.1	Focus tool .....	65
9.6.2	Software focus .....	66
9.6.3	Light bar focus .....	67
9.6.4	Sonar Technology™ .....	68
9.7	Rotary engraving attachment (option) .....	69
9.7.1	Installation and commissioning .....	70
9.7.2	Mounting the work piece .....	71
9.7.3	Engraving .....	72
9.8	Tips and tricks .....	73
9.8.1	Tips and tricks for laser engraving .....	73
9.8.2	Tips and tricks for laser cutting .....	74
9.8.3	Tips and tricks for the production of rubber dies .....	74
<b>10</b>	<b>Maintenance .....</b>	<b>75</b>
10.1	Safety notes .....	75
10.2	Maintenance schedule .....	76
10.3	Cleaning the machine .....	77
10.3.1	Cleaning the exhaust box .....	78
10.4	Cleaning the optics .....	79
10.4.1	Cleaning the lens .....	79
10.4.2	Cleaning the mirror .....	81
10.5	Cleaning the ultrasonic sensor (Option Sonar Technology™) .....	82
<b>11</b>	<b>Troubleshooting .....</b>	<b>83</b>
11.1	Errors, cause and resolutions .....	83
<b>12</b>	<b>Contact details .....</b>	<b>86</b>
12.1	Technical Support .....	86
12.2	Local Offices / Sales .....	86
12.3	Technical Documentation .....	86
<b>13</b>	<b>Disassembly .....</b>	<b>87</b>
<b>14</b>	<b>Disposal .....</b>	<b>87</b>
<b>15</b>	<b>Appendix .....</b>	<b>88</b>
15.1	Acceptance form .....	88
15.2	Training verification form .....	89
15.3	Response form .....	90
15.4	How to create a service file .....	91

## 1 General

### 1.1 Information about this manual

**PLEASE READ THIS MANUAL CAREFULLY BEFORE USE  
KEEP THE MANUAL FOR FURTHER CONSULTATION**

This manual describes how to operate the machine properly and safely. Be sure to follow the safety instructions given here, as well as any local accident prevention regulations and general safety regulations applicable to the field of usage.

Before beginning any work on the machine, ensure that the manual, in particular the chapter entitled “Safety Information” and the respective safety guidelines, has been read in its entirety and fully understood.

#### 1.1.1 Storage of the manual

This manual is an integral part of the machine and must therefore be kept in the direct vicinity of the machine and be accessible at all times.

#### 1.1.2 Complementary documentation

Complementary documentation can be found on the supplied DVD.

<b>Software Manual</b> Trotec JobControl <sup>®</sup>	JobControl_Operationmanual_x.x.x_Vx.x
----------------------------------------------------------	---------------------------------------

## 1.2 Explanation of symbols

Important technical safety notes and instructions in this manual are marked with symbols. These instructions for workplace safety must be complied with and followed. Here special attention must be paid in order to avoid accidents, injury to persons or material damage.



### **DANGER**

This symbol indicates information noncompliance wherewith result in death or serious injury.



### **WARNING**

This symbol indicates information noncompliance wherewith may result in death or serious injury.



### **WARNING**

This symbol warns of potentially dangerous situations related to electric voltage. Failure to observe the safety instructions leads to risk of serious injury or death. Care is to be taken in particular during maintenance and repair work.



### **WARNING**

This symbol warns of potentially dangerous situations related to the laser beam. Failure to observe the safety instructions leads to risk of serious injury.

### **Notice**

#### **Material damage**

This symbol indicates information noncompliance wherewith may lead to material damage, functional failures and/or machine breakdown.

### **Info**

#### **Info**

This symbol marks tips and information which are to be observed to ensure efficient and failure-free operation of the machine.

### 1.3 Liability and warranty

Warranty periods specified in the manufacturers "warranty terms and conditions" shall be binding for the buyer. If no warranty periods are specified, the general terms and conditions of sale, delivery and payment apply.

All information, illustrations, tables, specifications and diagrams contained in this operation manual have been carefully compiled according to the current state of technology. No liability is accepted with regard to errors, missing information and any resulting damage or consequential loss.

Strict compliance with the safety procedures described in this operation manual and extreme caution when using the equipment are essential for avoiding and reducing the possibility of personal injury or damage to the equipment. The manufacturer shall not be liable for any damage and or faults resulting from non-observance of instructions in this manual.

Non-observance of the operation, maintenance and service instructions described within this manual absolves Trotec from any liability in case of a defect.

Furthermore, Trotec Laser GmbH shall accept no liability whatsoever for damage caused by the use of non-original parts and accessories.

Additionally, Trotec Laser GmbH shall not be held responsible for any personal injury or property damage, of an indirect or specific nature, consequential loss, loss of commercial profits, interruption to business, or loss of commercial information resulting from use of the equipment described in this manual.

Any software forming part of this equipment may be used only for the purposes for which it was supplied by Trotec Laser GmbH. It is strictly prohibited to make any alterations, to prepare translations, decompile or disassemble the software.

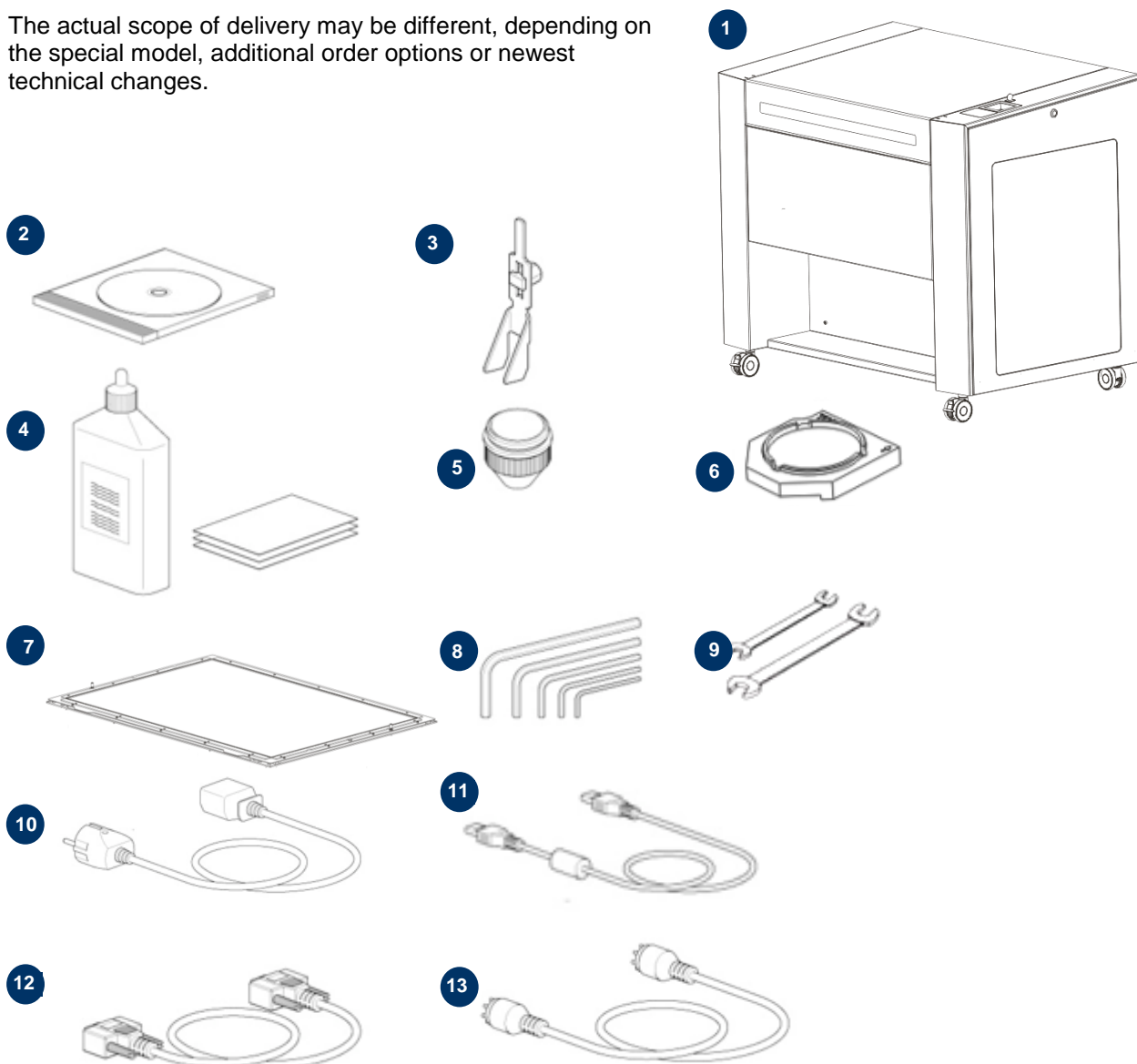
Trotec Laser GmbH reserves the right to update any of the information, illustrations, tables, specifications and diagrams contained in this operation manual with regard to technical developments at any time without notice.



## 1.4 Scope of delivery (standard configuration)

1. Laser machine
2. DVD (with laser software, printer driver and manuals)
3. Focusing tool(s) (according to lens order)
4. Cleaning kit for optics
5. Nozzles (2 pcs.:  $\varnothing 3$  und  $\varnothing 7$ )
6. Lens (standard lens for CO<sub>2</sub>: 2", fiber: 3.2", flexx: 2.85" or according to order)
7. Ferromagnetic engraving table or multifunctional table concept (according to order)
8. Allen key kit (8-part)
9. Open-end wrench
10. Power cord (according to order)
11. USB computer connection cable
12. RS232 cable (according to order)
13. Exhaust connection cable (according to order)

The actual scope of delivery may be different, depending on the special model, additional order options or newest technical changes.



## 1.5 Type plate

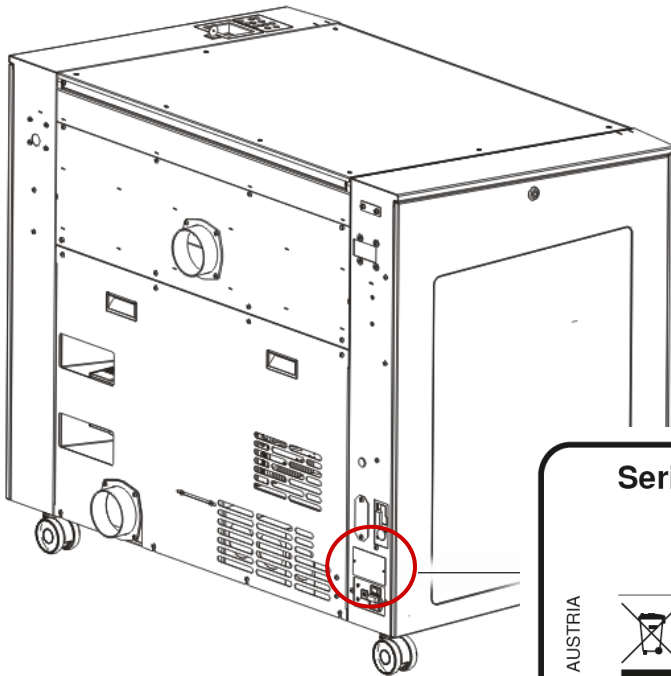
The type plate with the CE mark is located on the rear of the machine.





Enter the serial number, model and year of manufacture into your manual and always refer to them when contacting our representative or service office for enquiries, troubleshooting or ordering of replacement parts.

Serial number: \_\_\_\_\_

Model: \_\_\_\_\_

Year of manufacture: \_\_\_\_\_



<b>Serial Number:</b>		
Model:		
Manufactured:		
Patent Pending:		
-----		
Made in AUSTRIA		Input Power:
		Nominal Power:
		Wiring Diagram:
		Lasertype:
	Laserdiode: <math><0.99\text{mWcw}</math>, 655nm	
-----		
		Trotec Laser GmbH
laser. marking cutting engraving		Linzer Straße 156,
		4600 Wels, Austria
		<a href="http://www.troteclaser.com">www.troteclaser.com</a>

## 2 Safety

At the time of the development and production of the machine, it was built in accordance with recognized technological regulations and is therefore considered operationally safe. However, hazards may arise if the machine is used improperly, operated by untrained personnel or employed for purposes other than those it was designed for.

The present chapter provides an overview of all important safety considerations necessary to ensure safe and trouble-free operation of the machine.

Other chapters of this manual contain specific safety instructions which are marked with symbols in order to avert dangers.

### 2.1 Safety principles

#### 2.1.1 Intended use

**The machine described in this manual is intended exclusively for laser cutting, engraving and marking of material according to the intended use of the machine using the supplied software..**

For material details see chapter “Materials” or contact your local Trotec salesperson or Trotec technical support.

The system must be operated, maintained and repaired only by trained personnel familiar with the designated field of use and the dangers of the machine!

Operate the machine only in technically flawless condition and when it fully complies with the EC Machinery Directive.

The intended use of this machine also includes that all personnel involved in installation, set-up, operation maintenance and repair of the machine must have read and understood the Manual and in particular the “Safety” section, and comply with the instructions.

#### 2.1.2 Improper use

Use of the machine for any purposes other than those intended or described in the present manual is regarded as improper and therefore prohibited.

Trotec will not accept any liability for damage caused by improper use. The risks in case of improper use are exclusively borne by the user.

## 2.1.3 Machine modification

It is strictly prohibited to alter, refit or modify the machine in any way without the express consent of the manufacturer.

Likewise, it is strictly prohibited to remove, bridge or bypass any safety devices.

Operating conditions and connection and setup values stated in the data sheet must be complied with at all times.

Operation of the system is permitted only with original parts and accessories by the manufacturer. Use of third-party parts affects machine safety.

## 2.1.4 Operating modes

### 2.1.4.1 Normal operation

For normal operation the following conditions must be met:

- Intended use of the machine (see chapter "Intended use")
- Operation of the machine only by trained personnel
- Full functional and mounted safety devices
- Machine must be in technically flawless condition
- Only **non-metal** and material according to the intended use of the machine must be used.



During normal operation it is not necessary to wear safety glasses.

### 2.1.4.2 Service operation

Service activities may be carried out only by authorized, trained service technicians. If side panels as well as covers get removed and safety devices get bypassed, it can lead to direct and indirect scattered radiation.

The service operation is therefore declared as laser class 4 (US: class IV) and proper precautions need to be taken (see "Laser classification").

---

## 2.1.6 Safety norms and regulations

---

The following directives and guidelines must be observed to avoid hazards when operating Trotec laser systems:

<b>EN 60825-1</b>	Safety of Laser Products - Part 1: Equipment Classification and Requirements
<b>EN 60950</b>	Information Technology Equipment – Safety
<b>EN 61010-1</b>	Safety Requirements for Electrical Equipment for Measurement, Control and Laboratory Use; General Requirements
<b>EN 60204-1</b>	Electrical equipment of machines
<b>BGV B2</b>	Laser Radiation
<b>UL 60950</b>	Standard for Safety for Information Technology Equipment
<b>UL 31011-1</b>	Electrical Equipment for Laboratory Use – Part 1: General
<b>21 CFR 1040.10</b>	Performance Standards for Light-Emitting Products – Specific Laser Products
<b>21 CFR 1040.11</b>	Performance Standards for Light-Emitting Products – Specific-Purpose Laser Products

**Info** The general guidelines and directives listed within this manual may differ according to locality, region or country.

Therefore, always observe the directives as well as the regulations of the institutions for statutory accident insurance association applicable to you.  
The operator is responsible for fulfilling all safety requirements, as Trotec Laser GmbH has no influence on the proper use of the machine.

## 2.2 Laser safety

### 2.2.1 Laser classification

The here described machine is equipped with an enclosed laser pointer and a sealed carbon dioxide laser source that emits invisible and intense laser radiation with a wavelength of 10.6 microns.

#### Laser classification according to DIN EN 60825-1 "Safety of Laser Products":

- |                          |                                                                                                                                             |
|--------------------------|---------------------------------------------------------------------------------------------------------------------------------------------|
| - SP3000 laser machine   | Class 2 (US: Class II) in the working area and operating range, due to the key safety devices and enclosed laser pointer (normal operation) |
| - Laser source           | Class 4 (US: Class IV)                                                                                                                      |
| - Enclosed laser pointer | Class 2 (US: Class II)                                                                                                                      |



#### WARNING

##### Laser radiation of Class 2 (US: class II)

For Class 2 (US: Class II) laser is short term exposure (up to 0.25 sec) harmless to the eyes and can therefore be operated without additional protective measures. However it can cause irritation of the eyes if the natural avoidance reaction (staring into the beam deliberately) or eyelid closure reflex is suppressed.

- Do not suppress the eyelid closure reflex.
- Do not stare directly into the beam.
- Close eyes, turn away.
- Never look at the laser beam directly with an optical instrument, e.g. a lens.



#### WARNING

##### Laser radiation of Class 4 (US: class IV)

Exposure to laser radiation of Class 4 (US: Class IV) can cause injury to the eyes and skin.

- The skin and eyes must not be exposed to direct or reflected or scattered radiation.
- Wear suitable laser safety protection glasses.
- When dealing with Class 4 (US: Class IV) laser machines, it is necessary to appoint a trained laser safety officer to evaluate potential hazards and to ensure that appropriate control measures are implemented.

#### Info

It is the responsibility of the operator to comply with the national official and statutory regulations for the operation of a class 4 (US: class IV) laser system or laser system with a build in laser source of class 4 (US: class IV).

### 2.3 Area of responsibility

#### 2.3.1 Responsibilities of the operator

The operator has the following responsibilities:

- It is the responsibility of the operator to comply with the national official and statutory regulations for the operation of a class 4 (US: class IV) laser system or laser system with a build in laser source of class 4 (US: class IV).
- In addition to the safety notes and instructions stated in this manual, consider and observe the local accident prevention regulations and general safety regulations that apply at the operation site of the machine.
- A **CO<sub>2</sub> fire extinguisher** must always be at hand, as the laser beam can ignite flammable materials.
- If the machine is used industrially, the operator is subject to the legal obligations concerning industrial safety.
- All personnel involved in installation, set-up, operation, maintenance and repair of the machine must have read and understood this manual and in particular the "Safety" section. The personnel must be trained and informed about all the functions, potential dangers and safety issues of the machine on a yearly basis.
- The user is recommended to prepare company internal instructions considering the occupational qualifications of the personnel employed in each case, and the receipt of the instruction/this manual or the participation in the introduction/training should in each case be acknowledged in writing.
- Keep the manual in the immediate vicinity of the machine so that it is accessible at all times to all persons working on or with the machine.
- Authority for the individual activities relating to the application of the machine (e.g. installation, operation, maintenance and cleaning) must be clearly defined and observed, so that no unclear competencies result under the aspect of safety. This applies in particular to work to be performed on the electrical equipment that may only be performed by qualified specialists.
- Maintenance and repair work as specified in the manual must be carried out regularly.
- For all activities concerning installation, set-up, start-up, operation, modifications of conditions and methods of operation, maintenance, inspection and repair, the switch-off procedures that may be provided in the manual must be observed.
- Provide appropriate personal protection equipment (e.g. protective goggles according to wavelength and laser power).
- The operator is responsible for the safety-related state of the machine.

- Do not store any flammable materials in the working area or in the immediate vicinity of the device. Particularly, residues of processed materials have to be removed to prevent any fire hazard.
- The operator must ensure cleanliness and accessibility at and around the machine by corresponding instructions and controls.

---

### 2.3.2 Responsibilities of the operating personnel

---

- Always wear the necessary personal protective equipment.
- It is the duty of the operating personnel to check the machine before start of work for externally visible damage and defects, and to immediately report any changes that appear (including behavior during operation) that may affect the safety of the machine. It must be made sure that the machine is operated only in perfect condition.
- The machine must not be left unattended while it is operating.
- Switch off the machine described herein at the main switch for periods of non-use.
- Operate the machine described here only with a lens in place. A missing lens may cause the unfocused beam to be reflected out of the housing.
- Stop the machine immediately in case of failure.
- No working methods are permitted that affect the safety of persons or of the machine.
- Always keep clean the machine and its components such as lens and mirrors.



## 2.4 Operating and service personnel requirements

- The personnel must have read and understood this manual and in particular the “Safety” section.
- The personnel must not be under the influence of drugs, alcohol or reaction-impairing medication when working on or with the machine.
- The personnel must be familiar with using the fire extinguisher.
- The personnel must be trained in order to be qualified to operate the machine. If the personnel lack the necessary knowledge for working on or with the machine, they must first be trained and note down the training in the training verification form.

Activity	Intended user group	Definition
Control/ operation/ other activities (e.g. troubleshooting, maintenance)	Qualified personnel or Trotec technicians	Qualified personnel are those who can judge the work entrusted to them and detect potential risks based on their occupational training, knowledge and experience as well as their understanding of the relevant regulations.

## 2.5 Warning and information labels

The warning and information labels are attached in the positions of the machine that could represent a source of danger during set-up and operation. Therefore, pay attention to the information on the labels.

**Notice** **Lost or damaged warning and information labels**

If any warning and information labels are lost or damaged, the user is not able to identify risks anymore, and there is danger of injury.

- Replace lost or damaged labels immediately.
- Please contact your Trotec dealer for details.

**5**

**CAUTION**  
VISIBLE LASER RADIATION  
**CLASS 2**, WHEN OPENED  
DO NOT STARE INTO BEAM

**8**

**CAUTION**  
INVISIBLE LASER RADIATION  
**CLASS 4**, WHEN OPENED AND  
SAFETY INTERLOCKS DEFEATED  
AVOID EYE OR SKIN EXPOSURE TO  
DIRECT OR SCATTERED RADIATION

**11**

**LASER APERTURE**

**6**

**LASERPOINTER**  
 $P_{max} < 0,99 \text{ mW cw}$   
 $\lambda = 655 \text{ nm}$

**9**

**NEVER OPERATE THE LASER SYSTEM**  
**WITHOUT CONSTANT SUPERVISION**  
EXPOSURE TO THE LASER BEAM MAY  
CAUSE IGNITION OF COMBUSTIBLE  
MATERIALS WHICH CAN CAUSE SEVERE  
DAMAGE TO THE EQUIPMENT

**12**

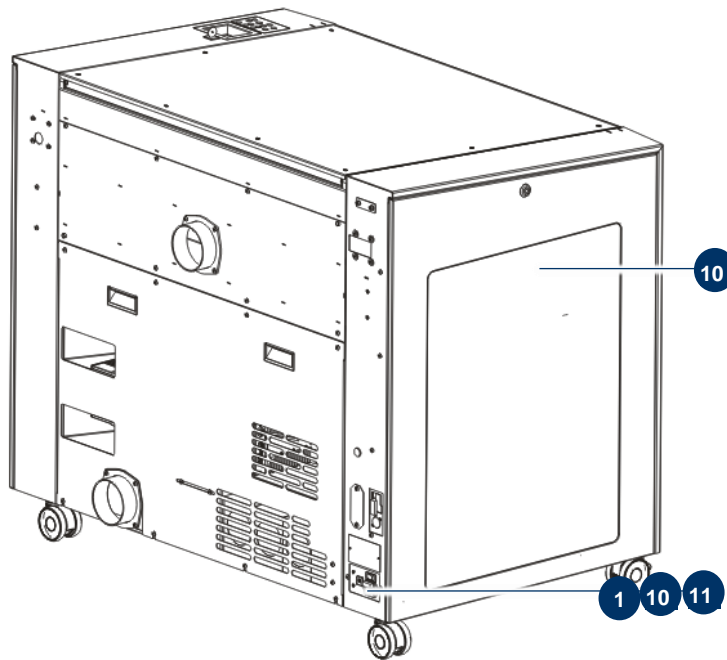
**INPUT POWER**  
100-240VAC 50/60Hz

**7**

**CO<sub>2</sub> LASER**  
**P = xxx W**  
 $\lambda = 10600 \text{ nm}$

**10**

**HAZARDOUS VOLTAGE INSIDE**  
DISCONNECT POWER BEFORE OPENING



**5**  
**CAUTION**  
 VISIBLE LASER RADIATION  
**CLASS 2**, WHEN OPENED  
 DO NOT STARE INTO BEAM

**6**  
**LASER POINTER**  
 $P_{max} < 0,99 \text{ mW cw}$   
 $\lambda = 655 \text{ nm}$

**7**  
**CO<sub>2</sub> LASER**  
 $P = \text{xxx W}$   
 $\lambda = 10600 \text{ nm}$

**8**  
**CAUTION**  
 INVISIBLE LASER RADIATION  
**CLASS 4**, WHEN OPENED AND  
 SAFETY INTERLOCKS DEFEATED  
 AVOID EYE OR SKIN EXPOSURE TO  
 DIRECT OR SCATTERED RADIATION

**9**  
 NEVER OPERATE THE LASER SYSTEM  
 WITHOUT CONSTANT SUPERVISION  
 EXPOSURE TO THE LASER BEAM MAY  
 CAUSE IGNITION OF COMBUSTIBLE  
 MATERIALS WHICH CAN CAUSE SEVERE  
 DAMAGE TO THE EQUIPMENT

**10**  
**HAZARDOUS VOLTAGE INSIDE**  
 DISCONNECT POWER BEFORE OPENING

**11**  
**LASER APERTURE**

**12**  
**INPUT POWER**  
 100-240VAC 50/60Hz

## 2.6 Safety devices



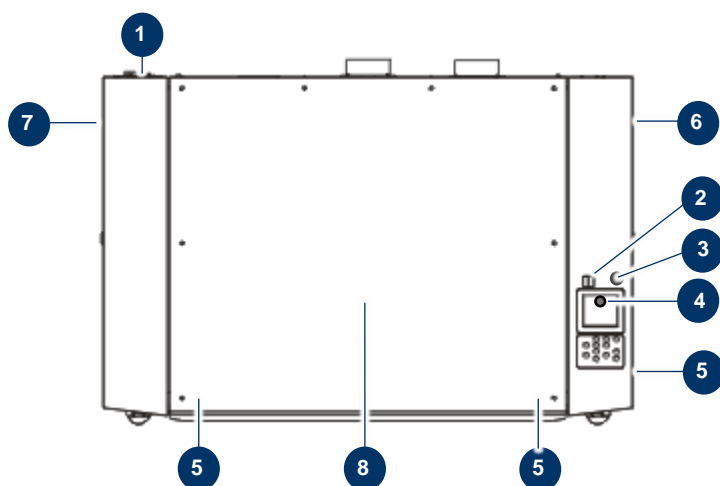
### WARNING

#### Danger from laser beam

Safety and protection devices that are not installed or are not fully functional can lead to bodily injury and material damage.

- Do not remove, modify or deactivate the safety interlock switches or protective covers on the machine. Safety and protection devices must be fully functional at all times.
- In case of assumed or presumed damage of safety devices, disconnect the machine from the mains.
- Damaged safety and protection devices need to be replaced by a Trotec technician immediately.

The machine is equipped with the following safety devices:



No.	Description	No.	Description
1	Main switch	5	Interlock safety switch
2	Option: Emergency stop button (only with temperature sensor option)	6	Side panel right (with interlock safety switch)
3	Option: Temperature sensor reset button (only with temperature sensor option)	7	Side panel left (with interlock safety switch)
4	Key switch	8	Acrylic top lid

## 2.6.1 Main switch

The main switch disconnects the machine from the mains power supply.

## 2.6.2 Key switch

Turning the key switch powers off the motor, laser source and electric system, and prevents unauthorized operation.

## 2.6.3 Temperature sensor reset button (option)

The temperature sensors ensure reliable temperature monitoring of the interior of the machine and are available as additional option.

If a preset temperature value is exceeded, an acoustic alarm continuously sounds to warn the operator of abnormal temperature trends during processing.



### WARNING

#### Fire

The acoustic alarm upon startup of the machine indicates that the sensors are operating properly. However, the sensors do not guarantee fire prevention.

- The unit must not operate unattended despite the integrated temperature sensors!
- If the acoustic alarm does not sound when the machine is switched on, check that the sensors are functional, or contact your local support team.

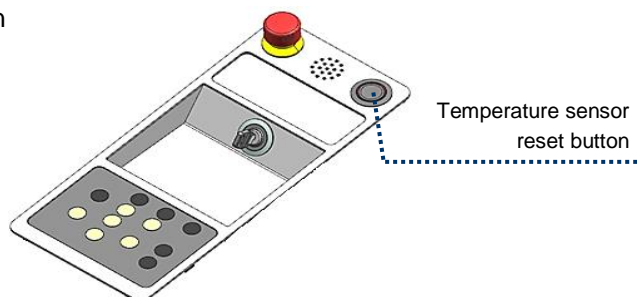
### 2.6.3.1 Functional test of the temperature sensors

When the machine with the temperature sensor option is activated, all sensors are checked for proper function, and you will hear an acoustic signal.

If you do not hear an acoustic signal, please check the cables, connections, etc., or contact your local technical support team.

### 2.6.3.2 Temperature sensor alarm acknowledgement

- Press the temperature sensor reset button to acknowledge the alarm.



### 2.6.4 Emergency stop button (only with temperature sensor option)

The emergency stop button, which is located above the operation panel, is present only if the machine is equipped with an optional temperature sensor.

When pressing an emergency stop button, the electric circuit immediately shuts off. The laser beam is interrupted, and all movements are stopped

#### The function of the emergency stop device is:

Firstly: to prevent any risks to the operating personnel.

Secondly: to avoid any damage to/destruction of the machine/material.

#### 2.6.4.1 Emergency stop acknowledgement



1. Turn the emergency stop button to unlock it. (green marker is visible)

2. Reboot the laser device to acknowledge the laser fault.

### 2.6.5 Interlock switches

Interlock switches query the closed status of the acrylic top lid, side panels and front door.

If the safety devices are open or not present, the laser cannot be operated. However, the pilot laser stays active.

### 2.6.6 Side panels

The side panels protect from laser light and must always be closed and properly attached.

### 2.6.7 Acrylic top lid

The type of acrylic top lid depends on the laser type. It protects the operator from uncontrolled emission of laser radiation.

---

### 2.6.8 In case of safety device malfunction

---

In case of actual or presumed damage to the safety devices:

- Press the emergency stop button
- Disconnect the machine from the mains
- Contact your local Trotec Support

## 2.7 In case of an emergency

---

### 2.7.1 In case of malfunction

---

- In case of unusual operating states, open the acrylic top lid to stop working process or respectively press the emergency stop button, if available and switch off the laser device.
- When appropriate disconnect the machine from the mains.
- Inform laser protection officer and supervisor.
- Follow the operating instructions.
- Have repair work performed by Trotec service technicians only.
- **In case of fire:** Use only **CO<sub>2</sub> extinguisher** to quench the fire, insofar as this is possible without endangering yourself.

---

### 2.7.2 In case of accident; First Aid

---

- If due to laser irradiation eye injury has occurred (upon exceedance of the maximum allowable irradiation rate), the accident victim must immediately be presented to an ophthalmologist.
- Assumption of eye injury is justified whenever laser irradiation has occurred and the maximum allowable irradiation rate may have been exceeded.
- First Aider must pay attention to self-protection.
- Power off the device.
- Remove injured person from the danger zone and provide First Aid. Call emergency physician!

## 2.8 Specific hazards

### 2.8.1 Fire hazard



#### **WARNING**

#### **Fire hazard**

Fire hazard from gas and processing of inflammable materials.

- Do not operate the device without supervision.
- Keep CO<sub>2</sub> fire extinguisher ready at hand in the immediate vicinity of the device.

If a main laser beam comes into contact with inflammable material, e.g. paper, the latter may ignite, quickly leading to fire. Therefore, before switching on the laser and after deactivating the standby mode you must make sure that there is no inflammable material in the path of the beam.

Furthermore, gases formed beneath the material being processed may ignite, especially if the extraction requirements are not met.

The risk of flaming is increased in case of insufficient care and cleaning as well.

Additionally, regularly control the air cooling system on your laser. In particular, the filters and ventilators should be checked regularly for proper function so as to avoid defects caused by overheating.

### 2.8.2 Gases, fumes and dust

Depending on the materials being processed and the parameters selected, laser processing may generate gases, fumes, aerosols or dust. Depending on the material, such by-products may be toxic. In individual cases, the reaction products may be electrically conductive dusts. If these enter electric systems, short-circuiting with personal injury and property damage may occur.

The operator is responsible for ensuring presence of a suitable extraction system and compliance with the relevant guidelines in order to protect persons and the environment. The guideline VDI 2262 1-3 "Workplace air" provides, among other things, additional remarks.

The operator must also ensure that gases, fumes or dust do not settle on the processing lens. Any dirt accumulating on the processing lens can lead to loss of performance, poor processing results and damage to the device.



### 2.8.3 Reflecting material



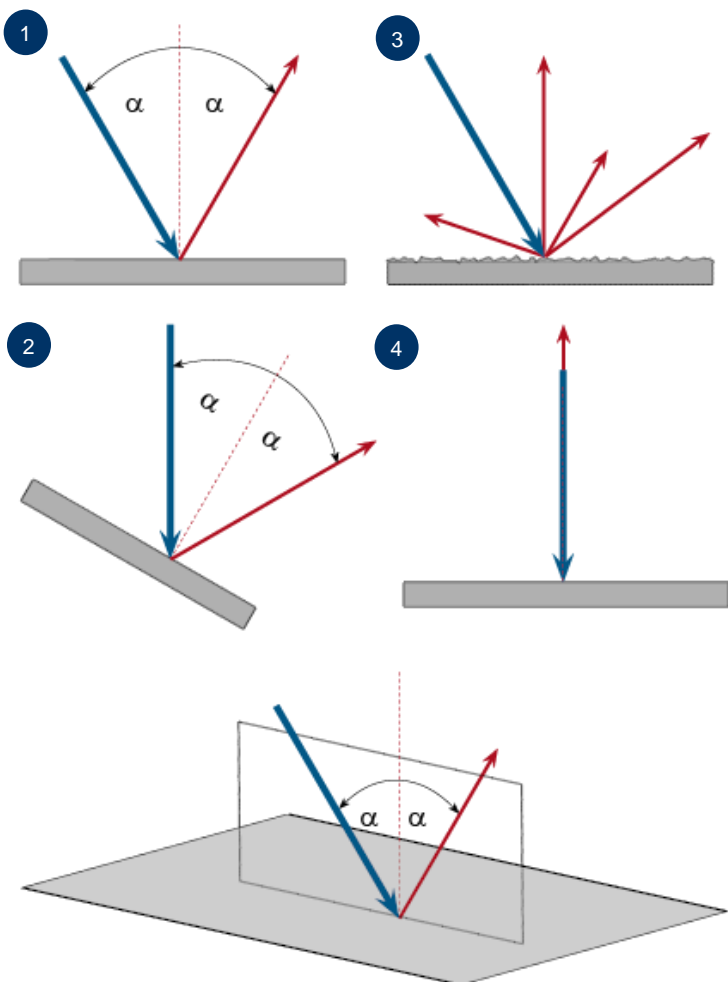
**WARNING**  
**Danger from laser beam**

Invisible laser radiation of reflecting materials can cause serious injury or material damage.

- Only material according to the intended use of the machine may be used
- Do not use material with high reflecting surfaces such as aluminum, chromium, precious metals, metal foils, stainless steel, brass, copper and titanium
- Take special care with surfaces formed convex and concave
- Do not leave or put objects on the work surface / working area

#### 2.8.3.1 Laser beam reflection

The reflecting law is valid for the reflection of the laser radiation: **Angle of incidence = failure corner**



No	Description
1	<b>Directed reflection</b> Reflected ray on smooth surface
2	<b>Directed reflection</b> Reflected ray on sloping surface
3	<b>Diffuse reflection</b> Reflected ray on rough surface
4	<b>Directed reflection</b> Horizontally reflected ray on smooth surface

## 2.8.4 Optical components



### WARNING

#### Damage to optics

Soiled optics absorb laser radiation and can thus be destroyed. Broken or damaged lenses as well as thermal decomposition of lenses release particles which cause serious damage to the health.

- The passive reflectors and optics in the area of the beam guidance should be cleaned regularly.
- Special care is required when handling, attaching and cleaning these elements.
- Do not exert non-uniform pressure.
- Do not use tools or hard objects to clean the surface.
- Never touch the optics with your bare fingers.
- Never use cleaning tissues twice.
- When lenses get broken, damaged or thermal decomposed follow the protective measures.
- Disposal according to regulations and laws valid in the users' country.
- **Lenses with scratches or penetrations must not be used anymore!**

### 2.8.4.1 Scratched or destroyed lens surface

Be aware that scratches in the coating may release small quantities of thorium, which may be harmful upon inhalation or swallowing.

### 2.8.4.2 Thermal decomposition

Upon thermal decompositions, vapors of selenium oxide and zinc oxide are formed. Upon inhalation or swallowing there is danger of poisoning.

Indicators for thermal decomposition of ZnSe include deposits in the form of red or white powder and an unpleasant odor.

### 2.8.4.3 Broken lenses

When optical components of zinc selenide (ZnSe) are destroyed, toxic dusts and vapors are formed which must not be inhaled. The dust can additionally cause irritations of the eyes, skin and respiratory tract.

If a lens has been destroyed during operations, care is to be taken during removal and cleaning.

For first aid measures and handling of scratched or broken ZnSe lenses, see the material safety data sheets by the manufacturer of the lenses.

### 2.8.4.4 Protective measures

#### → Protective measures in case of thermal decomposition and scratched or broken lenses

- For disposal use a protective mask or respiratory filter to prevent inhalation or ingestion of thorium.
- Wash hands thoroughly after contact with a scratched coating.

#### → Protective measures in case of a broken lens

- Upon perception of an unpleasant odor, switch off the machine.
- Hold your breath.
- Leave the area of the machine.
- Before approaching the system again, wait for at least 30 min until the reaction has abated.
- Wear proper protective clothing (respiratory protection, protective goggles, protective suit, rubber or plastic gloves).
- Provide ventilation.
- When approaching the system again, pay attention to odors.
- Remove all lens fragments.
- Avoid raising or dispersing dust.

### 2.8.4.5 Disposal



The ZnSe dust and the lens are to be collected drily and disposed of with fragments, broom, shovel and protective clothing into hermetically sealable containers or plastics bags as hazardous waste.

**Do not dispose of optical components as domestic waste, and do not let them enter the sewer or water bodies.**

**Dispose of according to regulations and laws valid in the users' country.**

## 3 EC Declaration of Conformity

(Machine directive 2006/42/EC, appendix II A)

**Manufacturer:**

Trotec Laser GmbH.  
Linzer Straße 156  
A-4600 Wels

**Authorized person for the compilation of technical documentation:**

Gerhard KREMPL, Trotec Laser GmbH, Linzer Straße 156, A-4600 Wels

We hereby certify that

SPEEDY 360  
Modell N° 8030 Speedy 360

in its conception, construction and form put into circulation by us is in accordance with all the relevant essential health and safety requirements of the EC machinery directive 2006/42/EEC.

**Further guidelines/regulations applicable to the product:**

2006/95/EC Low Voltage Directive  
2004/108/EC EMC Guideline

**Applied harmonized standards:**

- EN ISO12100 Machine Safety
- EN 60335-1/2007 Safety of Household and Similar Appliances
- EN 55014-1/2006, EN 55014-2/1997 Electromagnetic Compatibility
- EN 60204-1 Machine Safety – Electr. Equipment
- EN 60825-1/2007, EN 60825-4/2006 and EN 60825-14/2006 Safety of Laser Equipment
- EN 55022/2008, EN 55024/2003 Electromagnetic Compatibility

**Place, Date:**

Wels, September 14<sup>th</sup>, 2016

**Personal data of the signer:**

Georg ERNST, Head of Research and Development

**Signature:**

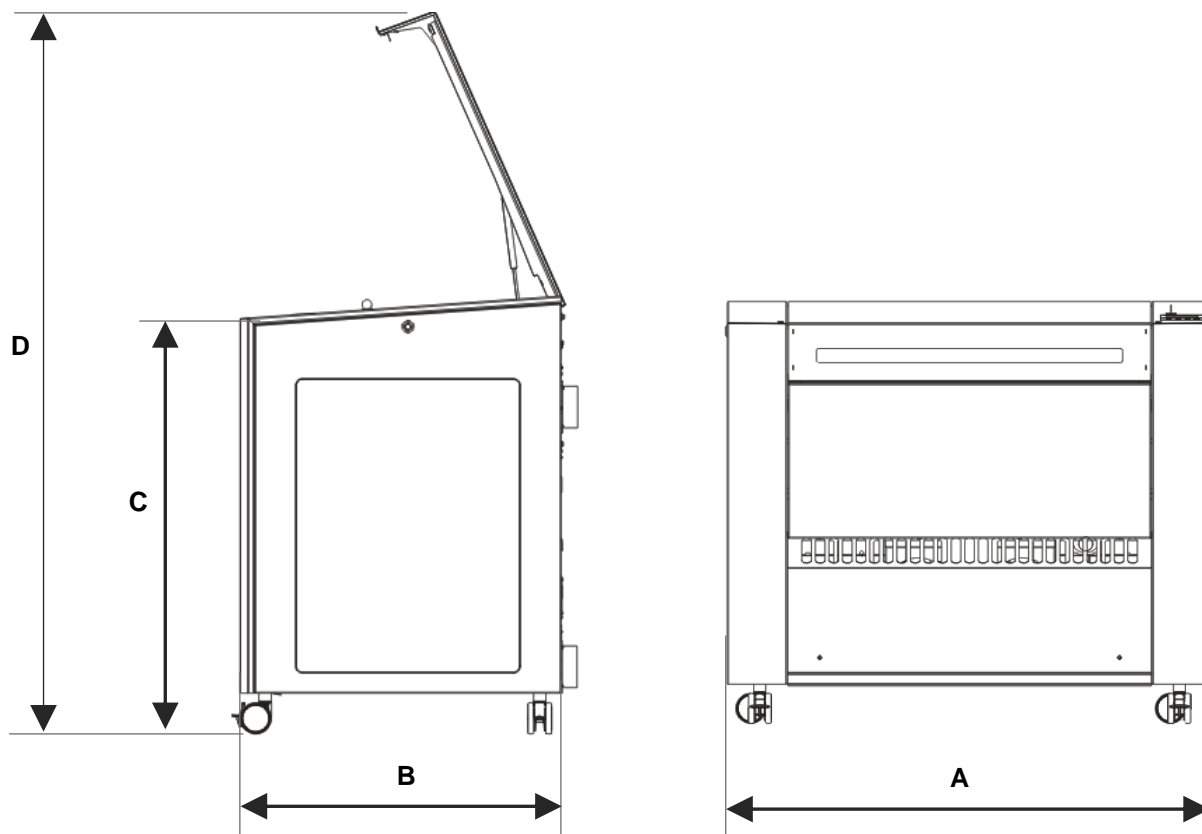


---



## 4 Technical Data

### 4.1 Dimensions and weight



Item	Description	Dimension	Units
A	Length	1221 (48)	mm (inch)
B	Width*	830 (32,67) / 790 (32.8)*	mm (inch)
C	Height, closed with base frame	1055 (41.55)	mm (inch)
D	Height, open	1750 (68.89)	mm (inch)

\* without exhaust hose connectors on the back and with the top lid open

Weight – depends on the type: 235 to 250 kg (518 to 551 lbs.)

## 4.2 Data sheet

### • Mechanics

Working area	32 × 20 in (813 × 508 mm)
Loading area	35 × 23.6 in (890 × 600 mm)
Max. height of work piece	1.5 ", 2.0 ": 8.2 in (210 mm) incl. working table / 11 in (280 mm) without working table 2.0 " clearance lens, 2.5 ": 7.7 in (197,5 mm) 4.0 ": 6.2 in (159 mm)
Working tables	Standard: ferromagnetic engraving table Optional: multifunctional table concept (multifunctional table base frame including one working table of choice – vacuum table, aluminum cutting grid table, acrylic cutting grid table, aluminum slat cutting table, acrylic slat cutting table); rulers in inch or mm Additionally available: honeycomb cutting tabletop with 0.5 (12,7 mm) or 0.25 (6,4 mm) nominal comb size Electronic, programmable Z-axis with servo motor
Speed of motion system	139 in/sec (355 cm/sec.)
Acceleration	5g
Motor	Brushless DC servomotor
Encoder	Increment measuring system
Lenses	Standard: 2.0 " Optional: 1.5", 2.0 " clearance lens – 0.5 in (12,5 mm) more distance from material than standard lenses, 2.5 ", 4.0 "
Addressable accuracy	5 µm
Repeat accuracy	<± 0.0006 in (0,015 mm)
Accuracy to size of parts	Depending on material and process
Max. material load	Static: up to 220 lbs. (100kg) / Dynamic: up to 66 lbs. (30 kg)
Exhaust	Surface exhaust via rear of the engraving cabinet, table exhaust with vacuum and cutting table
Standard features	Ergonomic access to working area, coaxial air assist (without pump), Light Bar Focus (electro-optic autofocus), laser pointer (655 nm, <0,99mWcw), 2.0 " lens by default – can be replaced free of charge with 1.5 " lens, 2.0 " clearance lens, 2.5 " lens or 4.0 " lens, ferromagnetic engraving table, nozzles (Ø3 mm und Ø7 mm), LED lighting, USB connection, JobControl <sup>®</sup> Expert Software, iOS App

Optional	Harsh environment protection kit, air assist incl. compressor, rotary attachment, gas-kit light, temperature sensor incl. emergency stop button, Sonar Technology™ (ultrasonic auto-focus), multifunctional table concept incl. one working table free of charge (vacuum table, aluminum cutting grid table, acrylic cutting grid table, aluminum slat cutting table, acrylic slat cutting table); Honeycomb cutting table top with 0.5 in (12.7 mm) or 0.25 in (6,4 mm) nominal comb size
----------	-----------------------------------------------------------------------------------------------------------------------------------------------------------------------------------------------------------------------------------------------------------------------------------------------------------------------------------------------------------------------------------------------------------------------------------------------------------------------------------------------

• Options

Rotary attachment	Cone, roll or combined version, tiltable Max. workpiece length: 21.6 in (550 mm) => cone / Ø ≥ 2.2 in (58 mm) – 26.7 in (679 mm), Ø ≤ 2.2 in (58 mm) – 29.3 in (745 mm) => rolls Max. workpiece diameter: 8.1 in (207 mm) => cones / 3.7 in (96 mm) => rolls; depending on inserted lens
JobControl® Vision	Registration marks detection and compensation system Max. working area without camera: 32 × 20 in (813 × 508 mm) Max. working area with camera: 31.5 × 20 in (801 × 508 mm)
Vacuum table	Vacuum effect for fixation of thin or wavy materials
Honeycomb cutting tabletop	Perfect in combination with vacuum table; 0.5 in (12.7 mm) or 0.25 (6,4 mm) nominal comb size
Aluminum cutting grid table	Particularly suitable for cutting tasks with parts smaller than 4 in (100 mm)
Acrylic cutting grid table	For reflection free cutting of tasks with parts smaller than 4 in (100 mm)
Aluminum slat cutting table	Particularly suitable for cutting tasks of thicker materials and parts bigger than 4 in (100 mm); removable aluminum slats
Acrylic slat cutting table	For reflection-free cutting of thicker materials and parts bigger than 4 in (100 mm); removable acrylic slats
Sonar Technology™	For fast and easy focusing on the surface of the work piece with ultrasonic sensor; higher accuracy in comparison to manual focusing
Gas-Kit light (for compressed air connection)	For control of compressed air (free of mechanical dust, water and oil) max. flow rate 150 l/min (40 gpm) with max. 10 bar (145 psi); max. limit 4 bar on working head, connection on the machine with external hose diameter of 0.23 in (6mm)
UniDrive	Increased flexibility by the use of different operating systems e.g. MAC and multiple design stations, workflow optimization
TroCAM	CAD / CAM software for perfect cutting results; including nesting-function, lead-in/lead-out, tool paths
MCO	Multi-Color Option for stamp pad cutting

### • Control System

Software	JobControl X Expert
Laser Power	Adjustable 0 – 100%
Interface hardware	USB
Interface software	ASCII, HPGL, JobControl

### • Laser Equipment CO<sub>2</sub>

Laser tube	Sealed-off CO <sub>2</sub> laser, maintenance-free Laser power: 40 - 120 W, air cooled
Wavelength	10.6 µm

### • Dimensions

Width/depth/height	48 × 32.8 (30.7*) × 41.5 in (1221 × 830 (790*) × 1055 mm) * without exhaust hose connection on the back of the machine and open top lid
Weight	Approx. 518 – 551 lbs. (approx. 235 - 250kg) – depending on laser power
Ambient conditions	Mandatory ambient temperature +15° C to +25° C or 59° F to 77° F Humidity 40% to max.. 70%, not condensing Dust-free environment (2nd degree according to IEC 60947-1)

### • Laser Safety

Laser class	CDRH laser safety; CE tested Laser class 2
Interlock	Duplicate interlock safety system
Loading lid	Front-side loading lid

### • Extraction System

Minimum volume required (without piping/tubing)	300 m <sup>3</sup> /h bei 1.700 Pa (without multifunctional table concept) 350 m <sup>3</sup> /h bei 3.500 Pa (with multifunctional table concept) Two connections DN 2.95 in (75 mm)
Required	Without multifunctional table concept: Atmos Mono/Mono Plus, Vent 3000 (or equivalent systems; for surface extraction) Without multifunctional table concept: : Atmos Duo Plus, Vent HP (or equivalent systems; for surface and table extraction)

### • Electrical Equipment

Power consumption	Approx. 1.2 to 1.9 kW (depending on laser power)
-------------------	--------------------------------------------------

Subject to change without notice. Errors and omissions reserved.



## 4.3 Electrical requirements of the machine

Laser Power	35–50 W AC		55–80 W AC		85–100 W AC	105–120 W AC
Voltage	230VAC	115VAC	230VAC	115VAC	230VAC	230VAC
Fuse	8AT	16AT	10AT	16AT	12AT	12AT
Power consumption	1200 W	1200 W	1400 W	1400 W	1900 W	1900 W

\* AC = air condition

**Notice** Inadequate or inappropriate power sources can lead to machine damage and are not covered by any liability.

Verify that the electrical outlet is capable of providing the proper voltage, frequency and amperage required by the laser machine described in this manual.

**Notice** Electrical noise, unstable power supply as well as voltage spikes in power supply can cause interference and possible damage to the electronics of the laser machine.

**Info** Use an individual circuit for the laser machine and the PC and an individual circuit for the exhaust system. Install your computer on the same circuit as the laser machine to prevent electromagnetic interactions.

Furthermore it is highly recommended that you use a surge suppression plug to protect your computer equipment.

If electrical power fluctuations, brownouts or power outages are a problem in your area, an electrical line stabilizer, UPS (Uninterruptible Power Supply) or backup generator are required. When installing any of these devices, ensure that they meet the electrical requirements of the laser machine.

#### 4.4 Exhaust system requirements

##### Notice

The machine may be operated only with properly installed and operating exhaust system. Damage to the system caused by the use of no or improper extraction equipment will not be covered by any liability.



##### DANGER

##### Danger of emission of toxic gases, vapors or dust

During laser operation, toxic aerosols may be produced.

- The laser may be operated only with properly installed and operating exhaust system.
- Check with the material manufacturer for its toxic effect.

Depending on the type of table installed in the machine, the exhaust requirements and recommended Trotec exhaust systems for standard applications are:

	Hose adapter ø	Flow rate	Pressure	Atmos Mono/ Mono Duo	Vent 3000	Atmos Duo Plus	Vent HP
Standard table without base frame	75 mm	300 m <sup>3</sup> /h	1700 Pa	✓	✓		
All table variants with base frame	75 mm	350 m <sup>3</sup> /h	3500 Pa			✓	✓

The monitoring point for flow rate and pressure is at the exhaust port at the laser machine. Pressure loss by hoses / pipes or filter parts of the exhaust system has to be determined and additionally calculated when selecting a proper exhaust system.

A powerful exhaust system keeps the life time of optics and mechanical components, the cutting quality and the laser power interacting with the workpiece from being impaired by fumes and dust accumulating in the machine.

##### Info

The exhaust power available for the application will be reduced by e.g. bends, small hose diameters and long hoses. Therefore, avoid bends, keep hoses as short as possible and use hoses with diameters as large as possible.

Applications generating large amounts of dust or fumes may require a stronger exhaust system. Use of separate exhaust systems for head and table exhaust may also be necessary.

- In this case it is absolutely necessary to consult your distributor.

### 4.5 Computer requirements

When using a more powerful computer, the graphics are generated and displayed faster, and the computing times and the times for data transfer to the laser are reduced.

The following recommendation represents the minimum requirements.

- Operating systems
  - Windows 10<sup>®</sup> 32/64 bit
  - Windows 8<sup>®</sup> 32/64 bit
  - Windows 7<sup>®</sup> 32/64 bit
  - Windows Vista<sup>®</sup> 32/64 bit (with Service Pack 1 or later)
- Microsoft<sup>®</sup> .NET framework 3.5
- Adobe<sup>®</sup> Reader 9.0 or later
- Local administrator privileges (for required software installations)
- 2 GHz processor or faster
- 2 GB RAM or greater (Windows Vista<sup>®</sup>, Windows 7 / 8 / 10)
- 80 GB hard drive or larger
- 1024 × 768 resolution monitor or greater
- True-color graphics card (24-bit color depth)
- 2 free USB interfaces
- DVD-ROM drive

## 4.6 Materials

Material	Cutting			Engraving			Marking		
	CO <sub>2</sub>	Fiber	Flexx	CO <sub>2</sub>	Fiber	Flexx	CO <sub>2</sub>	Fiber	Flexx
<b>Metal</b>									
Aluminum					√	√		√	√
Aluminum, anodized					√	√	√	√	√
Chromium					√	√		√	√
Precious metals					√	√		√	√
Metal foils up to 0.5 mm (aluminum, brass, copper, precious metals)		√	√		√	√		√	√
Stainless steel					√	√		√	√
Stainless steel (Thermark®)							√	√	√
Metal, painted				√		√			
Brass					√	√		√	√
Copper					√	√		√	√
Titanium					√	√		√	√
<b>Plastic</b>									
Acrylonitrile butadiene styrene (ABS)	√		√	√		√		√	√
Acryl/PMMA (Plexiglas®, Altuglas®, Perspex®)	√		√	√		√		√	√
Laminate	√		√	√		√		√	√
Rubber	√		√	√		√			
Polyamide (PA)	√		√	√		√		√	√
Polybutylene terephthalate (PBT)	√		√	√		√		√	√
Polycarbonate (PC)	√		√	√		√		√	√
Polyethylene (PE)	√		√	√		√		√	√
Polyester (PES)	√		√	√		√		√	√
Polyethylene terephthalate (PET)	√		√	√		√		√	√
Polyimide (PI)	√		√	√		√		√	√
Polyoxymethylene (POM) - Delrin®	√		√	√		√		√	√
Polypropylene (PP)	√		√	√		√		√	√
Polyphenylene sulfide (PPS)	√		√	√		√		√	√
Polystyrene (PS)	√		√	√		√		√	√
Polyurethane (PUR)	√		√	√		√		√	√
Foam	√		√	√		√		√	√

Miscellaneous									
Wood	✓		✓	✓		✓			
Mirror					✓	✓		✓	✓
Stone				✓		✓			
Paper (white)	✓		✓	✓		✓	✓		✓
Paper (colored)	✓		✓	✓		✓	✓	✓	✓
Food	✓	✓	✓	✓		✓	✓		✓
Leather	✓		✓	✓		✓	✓		✓
Fabric	✓		✓	✓		✓			
Glass				✓		✓			
Ceramics					✓	✓	✓	✓	✓
Cork	✓		✓	✓		✓	✓		✓



## DANGER

### Prohibited materials:

Leather with Chrome (VI), Carbon, polyvinyl chloride (PVC), polyvinyl butyral (PVB), polytetrafluorethylene (PTFE, Teflon<sup>®</sup>), carbon fiber, beryllium oxide and materials containing halogens (fluorine, chlorine, bromine, iodine and astatine), epoxy-based or phenolic resins

### Take care when processing the following materials:

Manganese, chromium, nickel, cobalt, copper and lead. Any material with the naming addition "flame-retarding" since it might contain bromine.



## WARNING

### Serious injury or material damage.

The use of prohibited or unreleased materials can cause serious injury or material damage and will not be covered under warranty.

- Only use approved and released materials.

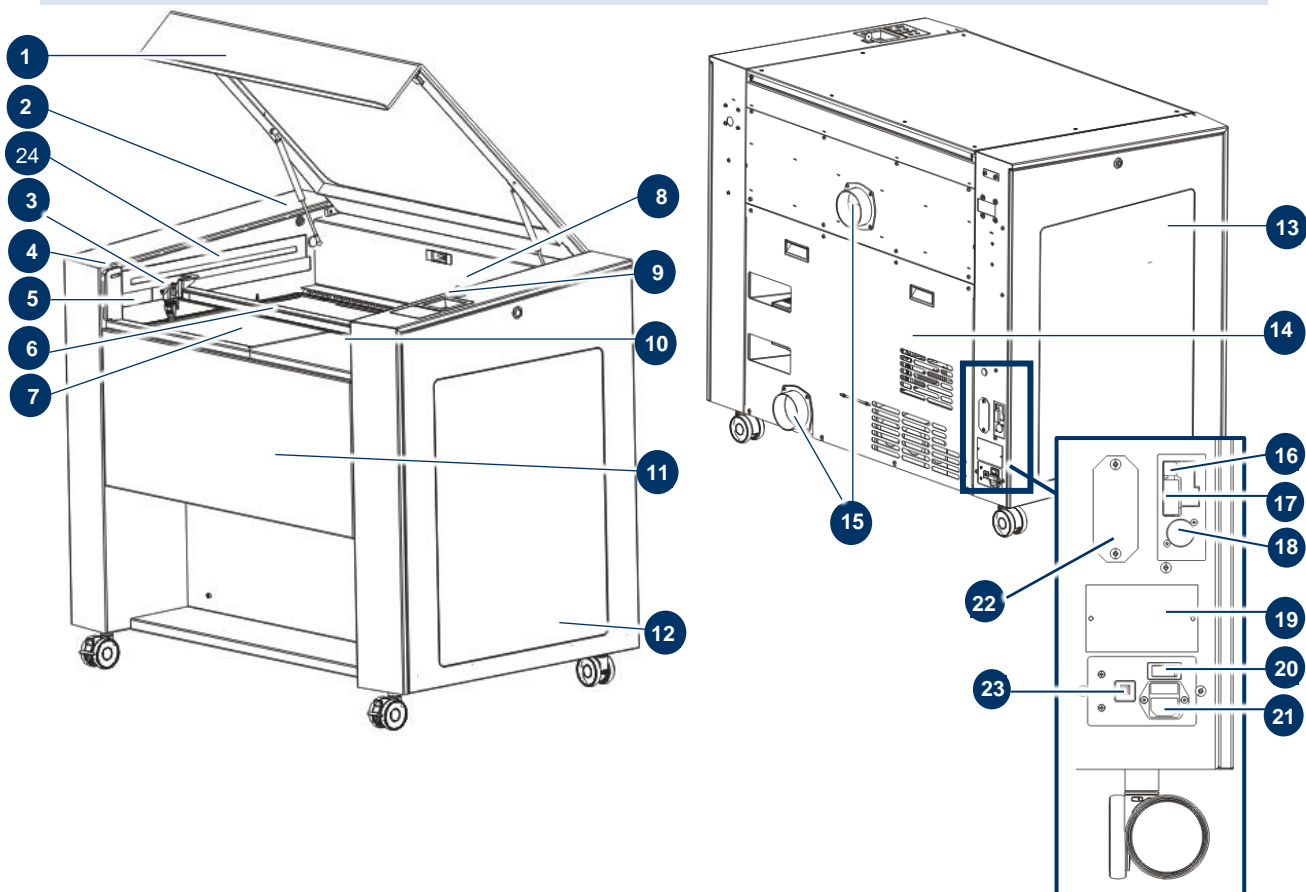
## Info

We recommend performing a material processing test with the above-mentioned material, using the appropriate configuration.

Trotec assumes no responsibility for any consequences of laser processing in any application, especially with medical or pharmaceutical applications.

## 5 Machine overview

### 5.1 General overview



No	Description	No	Description
1	Acrylic top lid	13	Side panel left
2	Service plug connector	14	Cover for laser tube and power supplies
3	Laser head	15	Connector for exhaust tube
4	Interlock safety switch	16	USB port for PC
5	Connector for rotary attachment	17	RS 232 port for PC
6	X axis	18	Connectors for exhaust cable
7	Table	19	Type plate
8	Key switch	20	ON/OFF switch
9	Keypad	21	Mains connection
10	Interlock safety switch	22	Connector for JobControl® Vision
11	Front door	23	Fuse(s)
12	Side panel right	24	LED interior illumination

## 5.1.1 Operation panel

### Status indicator: Laser beam

LED ON: The machine is processing data

### Button: Standby

LED ON: Standby-mode  
LED OFF: Ready-mode

### Button: Home

LED ON: Home position temporarily changed

### Button: Laser head (X/Y-position key)

-X-axis direction  
-Y-axis direction

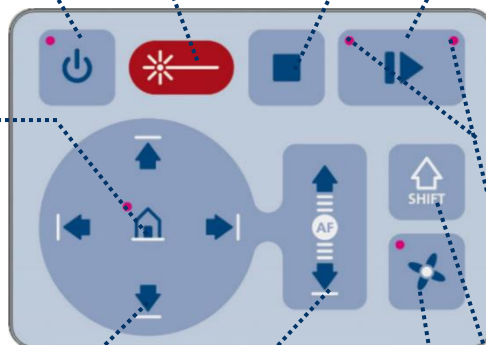
### Button: Working table (Z-position key)

-Up  
-Down

### Button: Stop

### Button: Start/Pause/Repeat

LED ON: Pause-mode



### Status LEDs

Green, flashing slowly (0.5 Hz)	Machine is ready Covers closed
Green, flashing fast (2 Hz)	Cover is open
Blue and green permanent	Data available Pause- mode
Green, permanent	Receiving/ processing data






### Button: Shift

Second operating level






### Button: Exhaust

LED ON: Exhaust active




























## Description

	<b>Status indicator:</b> <b>Laser beam</b>	LED ON: The machine is processing or receiving data.
	<b>Button:</b> <b>Standby</b>	<p>LED ON: Standby-mode LED OFF: Ready-mode</p> <p>Press the button to switch to standby-mode. Press the button again to switch back to ready-mode.</p> <p>When the button is pressed while the working table is moving up or down (e.g. during autofocus), the machine enters standby-mode only after finishing the movement.</p>
	<b>Button:</b> <b>Home</b>	<p>LED ON: Home position temporarily changed</p> <p>Press the button for 3 sec. to temporarily define the position of the laser head as home position. (Marker in JobControl®)</p> <p>To deactivate the temporary home position, press Shift + Home.</p>
	<b>Button:</b> <b>Laser head (X/Y-position)</b>	<p>Press the button to manually move the laser head to the right, left, front or back.</p> <p>Press two of the four X/Y-position keys simultaneously to move the laser head diagonally.</p> <p>Press Shift together with one of the X/Y-position keys to move the laser head quickly to the corresponding end position.</p>
	<b>Button:</b> <b>Working table (Z-position)</b>	<p>Press the button to manually move the working table up or down. (Z-position)</p> <p>Press Shift together with the Z-position up key to move the laser head to the corresponding end position. To stop the movement press any Z-position key.</p> <p><b>With option Sonar Technology™:</b></p> <p>By simultaneous pressing of the two keys for Z-positioning keys, the laser beam gets automatically focused on the workpiece.</p> <p>Press Shift together with the Z-position down key to move the laser head into the autofocus position. To stop the movement press any Z-position key. For further information see chapter "Focusing".</p>

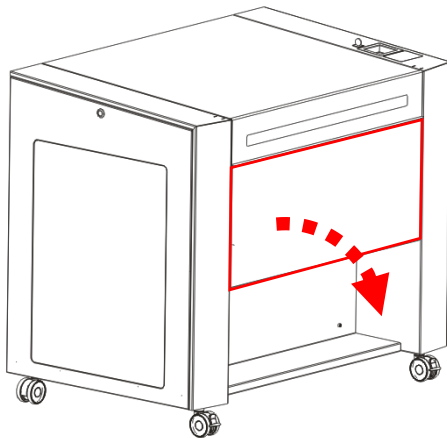


	<b>Button: Stop</b>	Press the button to stop the current working process.												
	<b>Button: Start/Pause/Repeat</b>	<p>Press the button to start the job which is currently on the plate in JobControl<sup>®</sup>.</p> <p>If a job is currently being processed, press the button to pause the job (LED ON). Press the button again to continue the interrupted working process (LED OFF).</p> <p>Press the button after a job was finished to repeat the actual job positioned on the plate in JobControl<sup>®</sup>.</p>												
	<b>Status LEDs</b>	<p>Indicates the current status of the machine:</p> <table border="1" data-bbox="639 721 1404 976"> <tr> <td data-bbox="655 721 927 788">Green, flashing slowly (0.5 Hz)</td> <td data-bbox="979 721 1318 788">Machine is ready. All covers closed</td> </tr> <tr> <td data-bbox="655 797 927 864">Green, flashing fast (2 Hz)</td> <td data-bbox="979 797 1150 824">Cover is open</td> </tr> <tr> <td data-bbox="655 873 847 940">Blue and green, permanent</td> <td data-bbox="979 873 1318 900">Data available Pause- mode</td> </tr> <tr> <td data-bbox="655 949 879 976">Green, permanent</td> <td data-bbox="979 949 1326 976">Receiving or processing data</td> </tr> </table>	Green, flashing slowly (0.5 Hz)	Machine is ready. All covers closed	Green, flashing fast (2 Hz)	Cover is open	Blue and green, permanent	Data available Pause- mode	Green, permanent	Receiving or processing data				
Green, flashing slowly (0.5 Hz)	Machine is ready. All covers closed													
Green, flashing fast (2 Hz)	Cover is open													
Blue and green, permanent	Data available Pause- mode													
Green, permanent	Receiving or processing data													
	<b>Button: Shift</b>	<p>For second operating level. Press the button together with any of the following keys to activate the following functions:</p> <p><b>Shift functions:</b></p> <table border="1" data-bbox="624 1142 1458 1639"> <tr> <td data-bbox="639 1155 823 1182">Shift + Exhaust</td> <td data-bbox="979 1155 1166 1182">Air assist on/off</td> </tr> <tr> <td data-bbox="639 1218 919 1245">Shift + X/Y-position key</td> <td data-bbox="979 1218 1414 1321">Laser head moves quickly to corresponding end position (X- or Y-position)</td> </tr> <tr> <td data-bbox="639 1352 823 1379">Shift + Standby</td> <td data-bbox="979 1352 1270 1379">Keypad locked/unlocked</td> </tr> <tr> <td data-bbox="639 1415 935 1442">Shift + Z-position key UP</td> <td data-bbox="979 1415 1350 1473">Working table moves up to the corresponding end position</td> </tr> <tr> <td data-bbox="639 1509 887 1568">Shift + Working table DOWN</td> <td data-bbox="979 1509 1458 1568">Working table moves into the autofocus position</td> </tr> <tr> <td data-bbox="639 1603 799 1630">Shift + Home</td> <td data-bbox="979 1603 1430 1630">Deactivated temporary home position</td> </tr> </table>	Shift + Exhaust	Air assist on/off	Shift + X/Y-position key	Laser head moves quickly to corresponding end position (X- or Y-position)	Shift + Standby	Keypad locked/unlocked	Shift + Z-position key UP	Working table moves up to the corresponding end position	Shift + Working table DOWN	Working table moves into the autofocus position	Shift + Home	Deactivated temporary home position
Shift + Exhaust	Air assist on/off													
Shift + X/Y-position key	Laser head moves quickly to corresponding end position (X- or Y-position)													
Shift + Standby	Keypad locked/unlocked													
Shift + Z-position key UP	Working table moves up to the corresponding end position													
Shift + Working table DOWN	Working table moves into the autofocus position													
Shift + Home	Deactivated temporary home position													
	<b>Button: Exhaust</b>	<p>Press the button to switch the exhaust on or off.</p> <p>LED ON: Exhaust activated</p> <p>LED OFF: Exhaust deactivated</p> <p>After completing the engraving process, the exhaust system can be switched off only after a few seconds more (follow-up time).</p>												

## 5.1.1.1 Keyboard shortcuts

Shortcuts		
 	Shift + Exhaust	Air assist on/off
 	Shift + X/Y-position key	Laser head moves quickly to corresponding end position (X- or Y-position)
 		
 		
 		
 	Shift + Standby	Keypad locked/unlocked
 	Shift + Z-position key "UP"	Working table moves up to the corresponding end position
 	Shift + Z-position key "DOWN"	<b>With option Sonar Technology™:</b> Laser head moves into the autofocus position
 	Shift + Home	Deactivate temporary home position
	Z-position key "UP"+"DOWN"	<b>With option Sonar Technology™:</b> Working Table moves up, into autofocus position (focusing automatically)
 	X/Y position key + X/Y position key	Laser heads moves diagonally in the corresponding direction
 		
 		
 		

## 5.1.2 Front door

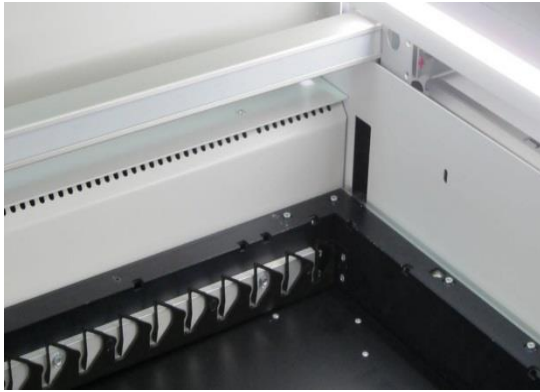


Loading and unloading of heavy and bulky parts or replacement of the table is very comfortable thanks to the front door that can be opened to up to 180°.

**Info** The door is interlocked, therefore it must be closed before any laser operation is possible.

## 5.2 Tables (multifunctional table concept)

### 5.2.1 Multifunctional base frame



The multifunctional base frame is bolted to the mounting frame, which is attached to the Z axis.

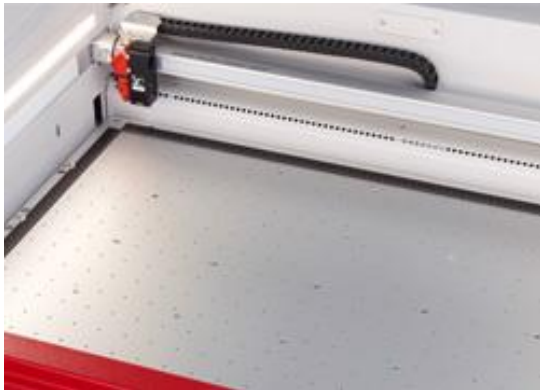
**Info** All table variants rest on the base frame. With the exception of the ferromagnetic engraving table which may also be placed directly on the mounting frame if there is no base frame present.

### 5.2.2 Ferromagnetic engraving table (standard)



The ferromagnetic construction allows mounting thin materials such as paper, films or foils with magnets to ensure an even and flat surface. An even working area is essential for achieving optimal results for laser engraving and marking applications.

## 5.2.3 Vacuum table



The vacuum table fixates various materials to the working table using vacuum. This ensures correct focusing over the entire surface, leading to better engraving results. In addition, it reduces the handling effort associated with mechanical mounting.

The vacuum table is the ideal table for thin and lightweight materials, such as paper, foils and films, that generally do not rest flatly on the surface.

## 5.2.4 Cutting tables

### 5.2.4.1 Aluminum slat cutting table



The cutting table with aluminum slats is ideal for cutting thicker materials (8 mm thickness and above) and for parts wider than 100 mm.

The slats can be arranged individually, consequently the table can be adjusted to each individual application.

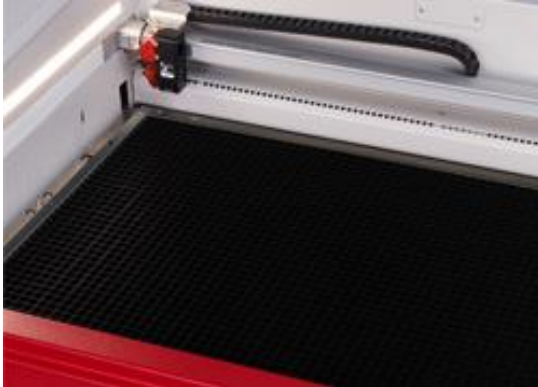
### 5.2.4.2 Acrylic slat cutting table



The cutting table with acrylic slats prevents reflection during cutting. This table is used in particular for cutting thicker materials (8 mm thickness and above) and for parts wider than 100 mm.

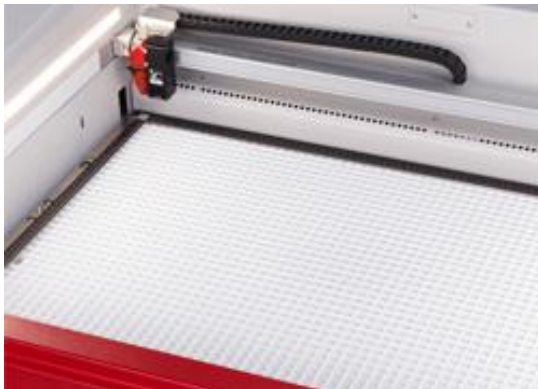
The slats can be arranged individually, consequently the table can be adjusted to each individual application.

### 5.2.4.3 Aluminum cutting grid table



This robust cutting table offers excellent stability and is particularly suitable for cutting tasks with parts smaller than 100 mm, as these remain in a flat position after the cutting.

### 5.2.4.4 Acrylic cutting grid table



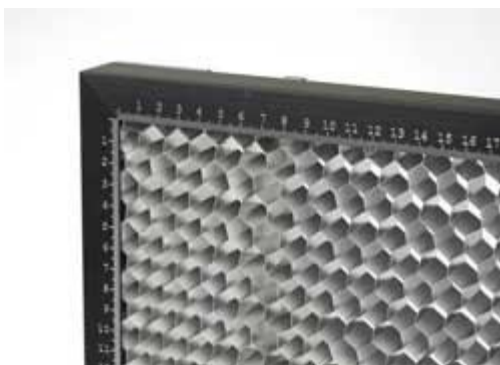
The special acrylic grid prevents reflection during cutting. It is therefore ideal for cutting acrylics, laminates or plastic films with parts smaller than 100 mm, as these remain in a flat position after the cutting.

---

## 5.2.5 Additional tabletops

---

### 5.2.5.1 Honeycomb cutting tabletop



The honeycomb table top is especially suitable for applications that require minimal reflection and optimum flatness of the material, e.g. cutting of membrane keyboards.

The honeycomb tabletop is an additional option for the vacuum and ferromagnetic engraving tables.

**Available in following sizes:**

0.5 inch nominal comb size

0.25 inch nominal comb size

## 5.3 Lenses

Lenses (incl. focus tool) available:



Part No. 85973  
1.5", red



Part No. 85975  
2.5", silver



Part No. 85974  
2.0", black  
(standard)



Part No. 90026  
4.0", blue



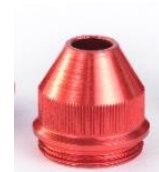
Part No. 95909  
2.0" CL, brown

## 5.4 Nozzles

Nozzles available:



Ø 3  
  
Short, small diameter  
(Standard)



Ø 7  
  
Short, big diameter  
(Standard)

## 6 Transport, unloading and packaging

### 6.1 Safety notes



**WARNING**  
**Risk of injury**

There is risk of injury from falling parts during transport, loading and unloading of the machine.

- Follow the safety instructions.

**Observe the safety instructions to avoid damage to the machine from improper handling during transport:**

- Always move the machine with utmost care and attention.
- Transport the machine/machine components only in its original packaging.
- Take the machine's center of gravity into account when transporting it (minimize the risk of tipping over).
- Observe the packaging symbols (e.g. transport the machine only in upright position).
- Take measures to prevent the machine from slipping sideways, tipping or falling over.
- Transport the machine as carefully as possible in order to prevent damage.
- Avoid vibrations.
- When transporting the machine overseas, the device must be packaged airtight and protected against corrosion.
- When transporting outdoors, transport only in vehicles with roof or sufficient weather protection.
- Protect the machine against transportation damage using straps and inserts, and leave sufficient gaps to other transported items.
- Do not place any other loads or items on the machine or machine components.

### 6.2 Delivery state

Unless otherwise agreed, the machine is delivered in a wooden crate that contains the laser machine and additional accessories.



## 6.1 Transport inspection and reporting of defects

Upon receipt, immediately inspect the delivery to ensure that it is complete and has not suffered any damage. If any transport damage is visible, do not accept the delivery, or accept it only with reservation. Record the scope of the damage on the transport documents/delivery note. Initiate the complaint process. For all defects that are not discovered upon delivery, be sure to report them as soon as they are detected, since damage claims must be filed within a certain period, as mandated by law.

## 6.2 Temperature and humidity

<b>Ambient temperature for transportation</b>	-10 °C to 40 °C (-50 °F to 104 °F)
<b>Humidity</b>	max. 85% (non-condensing)

## 6.3 Required tools for unloading and transport

	<b>Unloading the packaged machine parts</b>	<b>Transport the unpacked machine parts</b>
<b>Type</b>	forklift	pallet truck

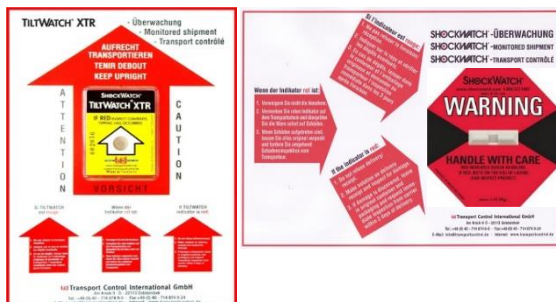
## 6.4 Transport conditions

Conditions:

- Observe the packaging symbols:

Symbol	Meaning according to ISO/DIN	Symbol	Meaning according to ISO/DIN
	vor Nässe schützen/ <i>keep dry</i>		oben/ <i>this way up</i>
	zerbrechliches Packgut/ <i>fragile, handle with care</i>		nicht stapeln/ <i>do not stack</i>

- Note the shock watch sign



## 6.5 Unpacking the machine

Only trained and authorized personnel are permitted to transport and unpack the machine. To avoid falling off of any wooden parts or tipping of the machine, be very careful when opening the transport case.

**Info** Keep the original packaging case, in case the machine needs to be transported or relocate..  
Dispose all waste according to the applicable waste disposal law.

**Notice** The lens unit should be unpacked only after installation of the machine. The lenses are high-quality optical components which must be kept clean in order to ensure optimum marking results. Never touch the lenses with bare fingers!

**The following steps give you an overview of the unpacking of the laser machine.**

---



1. Position the transport case vertically on level ground (using a pallet truck or forklift).  
Remove any vertical tightening straps.



2. First remove the top and afterwards the side plates of the transport case.
3. Slide out the two wooden rails in the form of ramps that are stored beneath the machine.



4. To secure the machine against moving, the wheels are locked using wooden blocks.

In order to remove those blocks, put the two wooden rails together, push the upper part of the rails under one side of the machine and press down the rail in order to reach a levering effect.

5. Now you can pull out the blocks. Repeat those steps on the opposite side of the machine.



6. Now insert the two rails to form ramps. (For this you will require min. 2 persons.)

7. Now roll the machine slowly down the ramps.

### 6.6 Relocation of the machine

**Notice**

Transport the machine only in its original packaging.

Ensure the wooden crates are properly secured otherwise the crates can slip, tip or fall over during transport

**Steps:**

1. Switch off the machine.
2. Unplug the electrical power supply.
3. Remove the exhaust system.
4. Relocate the machine (using auxiliary equipment if necessary) and place it on clean, solid level ground again.
5. After the transport, adjust the machine, setup the electrics and carry out a function test.

## 7 Storage

### 7.1 Temperature and humidity

<b>Storage temperature:</b>	0 °C to 30 °C (32 °F to 86 °F)
<b>Relative humidity:</b>	max. 60%

### 7.2 Storage conditions

Conditions:

- Keep the machine sealed in its original packaging until it is assembled/installed.
- Do not stack the wooden crates or boxes.
- Keep the storage location dry, free of dust, caustic materials, vapors and combustible materials.
- Store in a storage room or packaged with adequate weather protection.
- Avoid exposure of the machine to shocks or vibrations.
- Avoid extreme temperature fluctuations.
- Take particular care when packing away electronic components.
- Apply a coat of oil to all bare-metal machine parts, when storing for a longer period.
- Regularly check the overall condition of all parts and of the packaging.

## 8 Setup and installation

### 8.1 Safety notes



#### WARNING

Improper assembly or setup can cause serious injury or damage. For this reason, this work may be carried out only by authorized, trained personnel who are familiar with how to operate the machine and in strict observance of all safety instructions.

An incomplete, faulty or damaged machine can lead to serious physical injury or property damage. Assemble and install the machine only if the machine and its parts are complete and intact.

Operate the machine only in ambient temperatures **from 15 °C to 25 °C (59 °F to 77 °F)**. **Relative humidity must not exceed 40% – 70% (non-condensing)**. If the instructions are not followed, damage may occur during operation.

If the system has been subject to significant temperature fluctuations, it must be brought back to room temperature before being commissioned.

A laser system consists of high-quality electrical and optical components. Mechanical stresses, vibrations and impacts must always be avoided.



#### WARNING

Work on electrical fittings may be carried out only by qualified personnel and in strict observance of the safety notes.

#### Note the following:

- Ensure that there is sufficient distance to neighboring machines, walls or other fixed equipment.
- Keep the work area orderly and clean.
- Before assembling and installing the machine, check it to make sure it is complete and in good condition.

## 8.2 Operating environment

### 8.2.1 Temperature and humidity

Operating temperature:	15 °C to 25 °C (59 °F to 77 °F)
Air humidity:	40% – 70% (non-condensing)

### 8.2.2 Subsoil conditions

Conditions:

- Planarity  $\pm 5$  mm ( $\pm 0.1969$  inch)
- Solid, firm and vibration-free soil
- Easy-care and clean floor
- Bearing capacity of the subsoil  $\geq 1000\text{kg/m}^2$  ( $10\text{KN/m}^2$ )
- Machine point load  $500\text{kg/m}^2$  ( $5\text{KN/m}^2$ )
- No special substrate preparation required

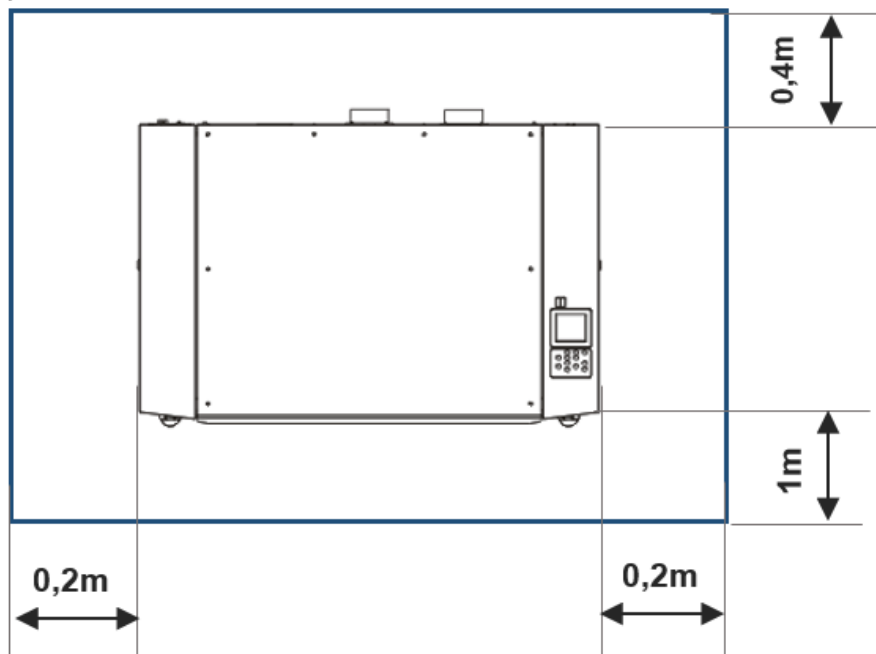
### 8.2.3 Environmental conditions

Conditions:

- Provide sufficient illumination at the workplace
- Ensure a dust-free environment (II° according to IEC60947-1)
- Shielding from EMC
- Freedom of interfering electrical installations, hoses and pipe lines
- Power supply free of fluctuations

### 8.2.4 Space requirements

Ensure there is shielding or sufficient clearance to or from the wall and neighboring objects.



### 8.3 Setup and installation

**Observe the following steps:**

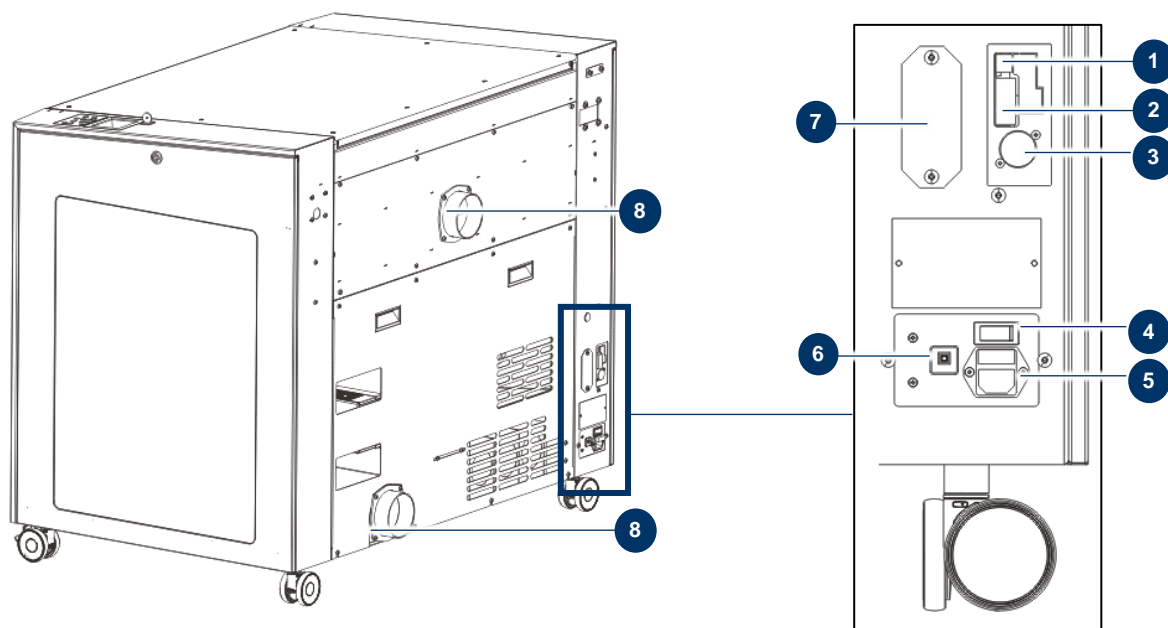
1. Transport the machine to the installation location according to the specifications stated in the chapter "Transport".
2. Make sure all the packaging material has been removed.
3. Remove any transport protections.
4. **Install the two exhaust connectors at the rear of the machine. They have been removed for safety reasons and for transport through doors.**
5. The machine must stand upright.
6. Make sure the laser protection glass is intact.
7. Now connect the electrical components (see chapter "Connections"):
  - Mains
  - PC
  - Exhaust
8. Install the software and register your system during the installation process.



## 8.4 Connections

### 8.4.1 Overview

**Notice** Install the connections exactly in the order described, otherwise electrostatic charging can damage your computer and/or the electronics of the laser system.



No	Description	No	Description
1	USB port for PC	5	Main socket
2	RS 232 port for PC	6	Fuse
3	Connector for exhaust connection cable	7	JobControl® Vision connector
4	Main switch	8	Exhaust connection

---

### 8.4.2 Connecting the mains

---



#### Wrong voltage can cause damage to the machine

Do not operate the machine, if the voltages do not match, as this may cause damage to the machine.

The mains and operating voltage, as stated next to the connecting sockets must match.

Connect the end of the mains cable to the main connection socket.

**Info**

Depending on the laser type and region, the main fuses **(6)** are either covered or open next to the connector.

---

### 8.4.3 Connecting the PC

---

1. Connect the computer to the mains.
2. Connect the laser (see figure above) to a free serial interface (2) or USB port (1) on your computer.
3. Switch on the computer.

#### 8.4.4 Connecting a Trotec exhaust system



##### Wrong voltage can cause damage to the machine

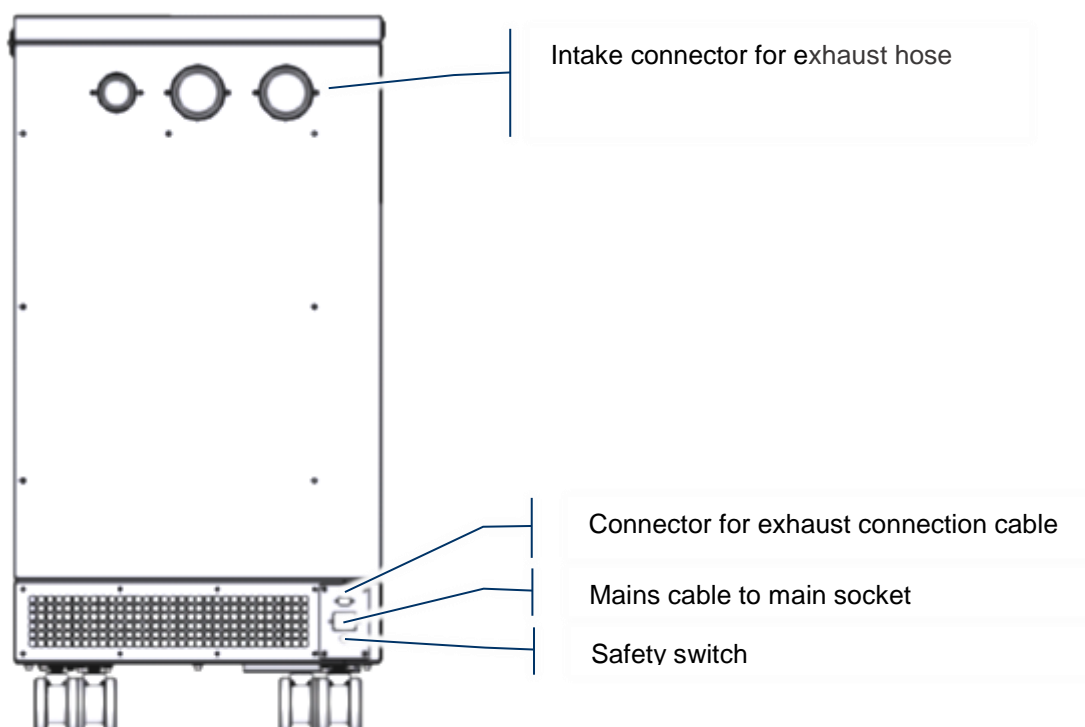
Do not operate the machine, if the mains voltage does not match the voltage required by the exhaust system, as this may cause damage to the machine.

- Make sure that the mains voltage matches the voltage required by the exhaust system.

##### Connecting:

1. Plug in the mains cable of your exhaust system into the mains socket.
2. Plug the ends of the exhaust hose into the exhaust nozzle that is intended for this purpose on the exhaust system and on the laser. The position of the connector depends on the type of the exhaust system.
3. When using an original Trotec exhaust system, also connect this, using the exhaust connection cable included, to the exhaust cable connection on the laser.

Follow the operation and maintenance instructions in the Manual of the exhaust system.



## 9 Operation

### 9.1 Before operation



#### **WARNING**

**Improper operation may lead to severe physical injury or property damage.**

For this reason, work may be carried out only by authorized, trained personnel who are familiar with how to operate the machine and in strict observance of all safety instructions.

**Before commissioning, the following points need to be checked:**

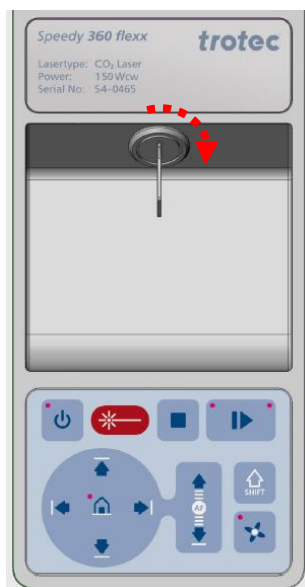
- Check the machine to ensure that it is in technically flawless condition and complete.
- Keep work area orderly and clean. Source of accidents!
- Ensure that the optical components are free from dust and dirt.
- Keep the processing area clean.
- Activate the extraction system and optionally the cooling system.
- Ensure that the electrical installation is complete and the input voltage is correct.
- Check the environmental conditions using the technical specification.
- Familiarize yourself with the laser safety regulations.
- Fulfil all laser safety requirements.
- Do not switch on the system unless an authorized person confirms that all laser safety standards have been met.

### 9.2 Software

For information on how to use the software, please read the accompanying software manual, which can be found on the supplied DVD.

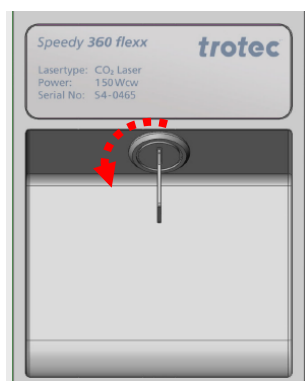
## 9.3 Power ON/OFF

### 9.3.1 Power ON



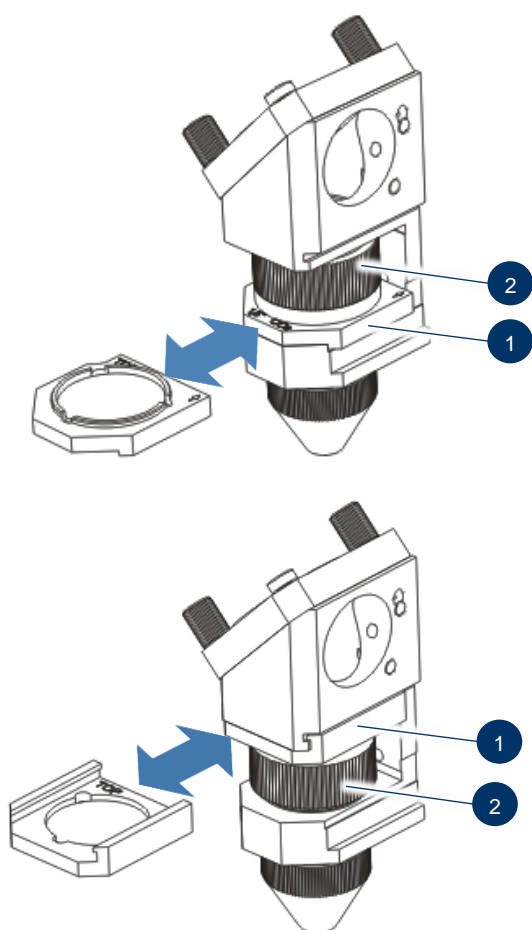
1. Ensure that no objects of any kind are present inside the processing area that could limit or obstruct the freedom of movement of the mechanics of the device.
2. Ensure that all safety protection covers are fully functional and closed (acrylic top lid, front door, side panel).
3. Press the main switch at the back of the machine (lower left) to turn on the main power.
4. Turn the key switch to the right and hold against the spring force. As soon the machine is started, release the switch. The switch returns to its initial position.
5. If all interlock-secured covers are closed, the device starts the referencing process immediately after switching on.
6. When the referencing process is correctly completed, an acoustic signal sounds, and the device is ready for operation.
7. Additionally the ready-to-use state is indicated through the slow flashing of the green status LEDs.
8. If an interlocked safety protection cover (acrylic top lid, front door, side panel) is opened during operation, an acoustic signal sounds, and the green status LEDs start flashing quickly.

### 9.3.2 Power OFF



1. Turn the key switch to the left.
2. Use the main switch at the rear of the machine (lower left) to turn off the main power.
3. By switching off the mains, all processing data are lost.

9.4 Lens placement

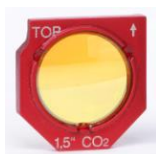


1. Loosen lens (1) by turning the clamping ring inward (2)
2. Remove lens (1)
3. Check lens (1) for damage
4. If necessary, clean both sides of the lens (1) with cleaning liquid and cleaning tissue (see chapter "Cleaning the lens")
5. Check lens (1) once more for damage
6. Insert the lens (1) with the lettering facing up, either above or below the clamping ring (2) depending on the lens type
7. When inserting the lens (1) above the clamping ring (2), turn the clamping ring beforehand.
8. Fixate the lens with the clamping ring (2)



9.4.1 Lens position

The following lenses must be inserted below the clamping ring:



1.5" red



2.0" CL brown

The following lenses must be inserted above the clamping ring:



2.5" silver



2.0" black (standard)



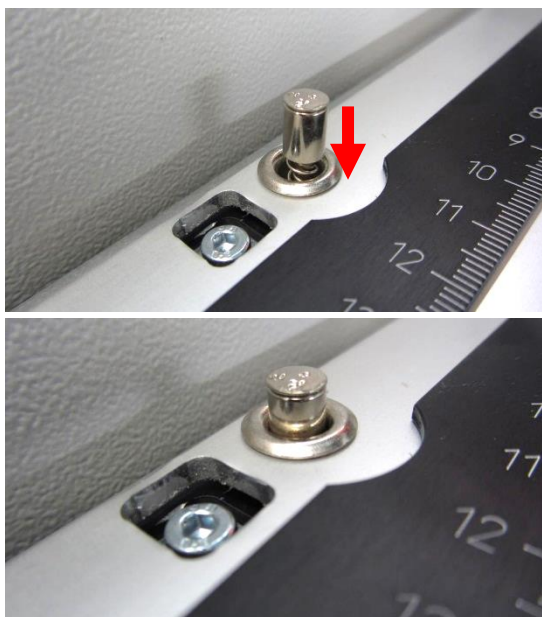
4.0" blue

## 9.5 Table placement

**Notice** **Damage to the multifunctional base frame or impairment of the exhaust function**

When workpieces are processed directly in the multifunctional base frame without a table, the base frame can be damaged, and impairment of the exhaust function is possible.

- Process workpieces only on suitable tables.



1. Place a suitable table on the multifunctional base frame.
2. Fixate the table by pressing the push buttons.

**Info** All table variants rest on the base frame. However the ferromagnetic engraving table may also be placed directly on the mounting frame without the base frame.

Maximum material load is for static loads: up to 220 lbs. (100 kg) and dynamic loads: up to 66 lbs. (30 kg).

For more details about the available table variants, see chapter “Tables”.

## 9.6 Focusing methods

Precise laser engraving depends on several factors. Apart from the right choice of lens, working tables and a corresponding exhaust system, correct focusing plays a key role.

The correct setting of the focus, which means the right distance between the laser head and the material to be engraved, is crucial for a perfect application result.

**Info** The machine described in this manual is equipped either with light bar focus or Sonar Technology™.

### → Manual focus mode

- Focus tool

### → Automatic focus modes

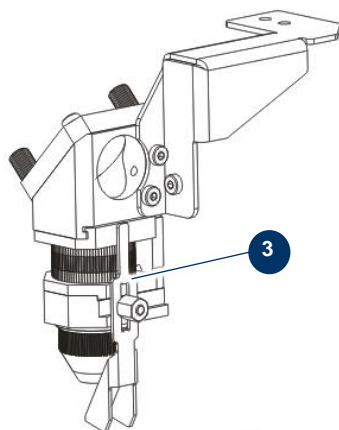
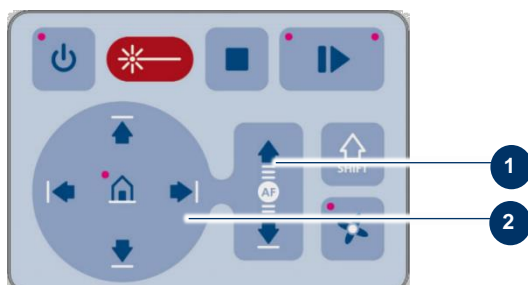
- Software focus (JobControl®)
- Light bar focus
- Sonar Technology™ (automatic focusing with ultrasonic sensor)

**Notice** If workpieces with more than 30 kg have been placed on the table, the table must not be moved up or down anymore as this might damage the mechanics of the machine. It is mandatory to focus on the height of the material before loading material of 30 kg and above.

**Info** Defects from head crashes (working head hits material or working table) are excluded from warranty.



## 9.6.1 Focus tool



1. Move the processing head over the material to be engraved by means of the X/Y position keys (2) on the keypad.
2. Hang the focus tool (3) on the external ring of the laser head so that the focus tool can move unhindered.
3. Move the working table upwards by pressing the Z position key (1).
4. Before the focus tool reaches the work piece, move the working table upwards very slowly and step by step by briefly tapping the positioning key (1) until the focus tool tilts to the side or falls off its position.

Now the lens is focused onto the surface of the material.

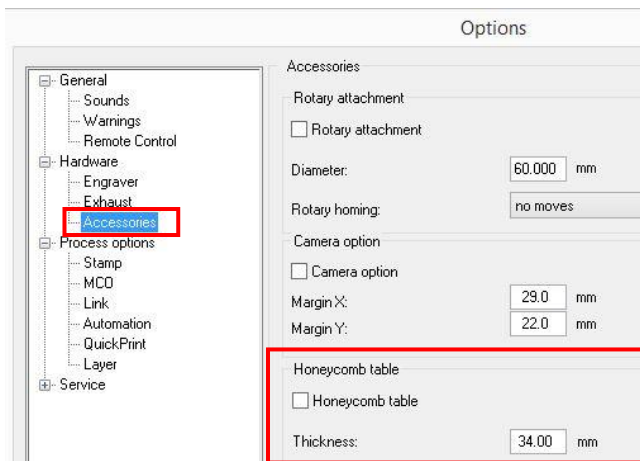
## 9.6.2 Software focus

The following values must be entered in JobControl®:

- Table type
- Lens type
- Material thickness (exact measurement)
- Material process type

**Notice** The values entered must match the material, table and lens in the machine in order to avoid a head crash.

When using spacer the total material thickness is determined by the thickness of the spacer and the material.

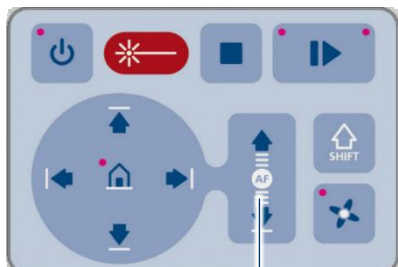


1. Click on the icon "Options" or go to Settings/Options in the menu.
2. Select "Accessories".
3. When you are using a cutting table enter the table type and the thickness of the table.
4. Select the lens type in the menu bar.
5. Click on the icon "Material database" or got to Settings/Material database in the menu.
6. Enter the material thickness.
7. Enter the process type.
8. Click on the icon "Focus laser". The working table moves automatically to the correct position (moves in Z direction).

## 9.6.3 Light bar focus



1. Select the lens type in the menu bar of JobControl®.



2. Make sure that the lens that is installed in the laser head is selected.

3. Press the two Z-positioning keys (1) simultaneously for the table to move up.

1



As soon as the previously loaded material passes the light barriers, the upward movement of the table stops, and the table moves to the correct focus position.

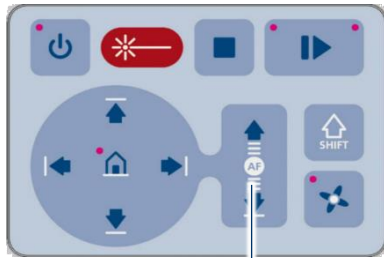
Focusing is then complete, and you can start the laser processing.

### Info

The light barrier autofocus is ideal for flat opaque materials of unknown thickness. This autofocus option will not work on transparent, rough or very thin material, which is thinner as the ruler itself.

## 9.6.4 Sonar Technology™

**Notice** Strong contamination of the ultrasonic sensor can lead to defects from head crashes (working head hits material or working table).



1



1. Make sure that the ultrasonic sensor is clean.
2. Select the lens type in the menu bar of JobControl®.
3. Press the two Z-positioning keys (1) simultaneously for the laser beam to get automatically focused on the workpiece.

Focusing is then complete, and you can start the laser processing.

**Info** This focusing mode is especially well-suited for all sound-reflective materials.

## 9.7 Rotary engraving attachment (option)

The rotary engraving attachment is used to engrave cylindrical workpieces. Upon selection of the option “Rotary Engraving Attachment” in the JobControl<sup>®</sup> software and entering the diameter of the object to be engraved, the image size will automatically be automatically adjusted to the diameter of the workpiece to be processed.

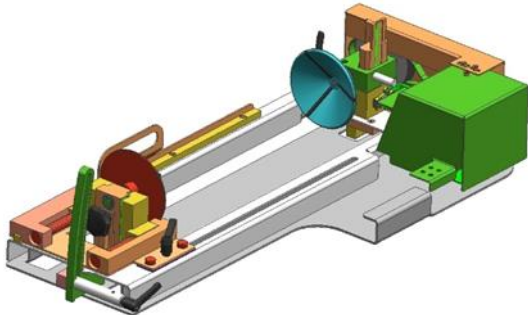
**Notice** **Damage to electronics**

Inserting or removing the rotary attachment while the machine is turned on may irreparably damage the electronics.

- Switch off the machine before inserting or removing the rotary attachment.

**Rotary attachment with cones:**

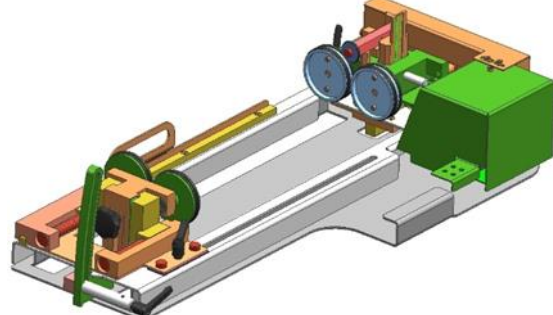
Engraving of cylindrical objects with a diameter of up to 207 mm, a length of up to 760 mm and a maximum weight of 3 kg.



*Rotary attachment with cones*

**Rotary attachment with rolls:**

Engraving of cylindrical objects with a diameter of up to 180 mm, a length of up to 960 mm and a maximum weight of 10 kg.



*Rotary attachment with rolls*

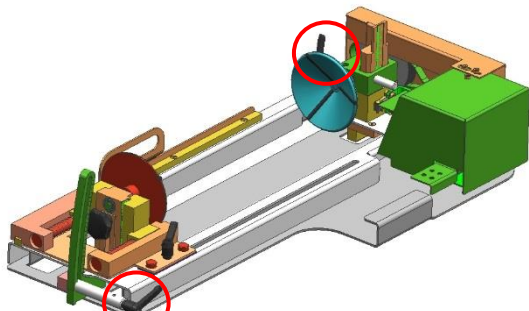
## 9.7.1 Installation and commissioning

1. A working table must be mounted and positioned at the lowest position.  
The laser machine must be switched off.
2. Place the rotary attachment onto the working table using the existing insertion handles.
3. Position the rotary attachment so that the brackets of the rotary snap to the ruler correctly.
4. Connect the connection cable of the rotary attachment to the connector on the left front side of the housing.



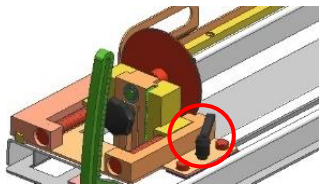
## 9.7.2 Mounting the work piece

1. Measure the diameter of the workpiece.
2. Adjust the height and angle of the system by loosening and fixing the levers.



*Levers for fixation of height and angle*

3. Loosen the slider by using the lever in order to clamp the workpiece between the two cones or rolls.

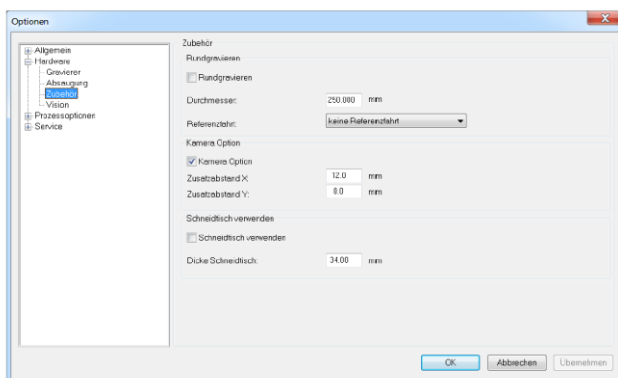



*Slider incl. lever*

4. Switch on the laser.  
The axis automatically moves over the middle of the rotary attachment.
5. Position the laser head over the workpiece at the position where you want to engrave.
6. Focus the object with the focus tool. The engraving area must be parallel to the X-axis. If necessary, do this with the aid of the angle adjustment.  
Do not touch the lens holder.

### 9.7.3 Engraving

1. Create a graphic with the help of the graphics software. Select the printer driver and rotary attachment, and enter the diameter of the workpiece.
2. Perform the settings for size and orientation in the JobControl<sup>®</sup> menu “Plate” > “Setup Plate” and choose - if necessary - the engraving material. You can determine the orientation of the graphic on the workpiece with the option “Job Orientation”.
3. In the menu “Settings” > “Options” > “Accessories”, select the option “Rotary Engraving” and enter the diameter of the object (see Fig. 6).  
If the diameter has already been entered in the printer driver, the size is automatically transferred into JobControl<sup>®</sup>.



4. Double-click on the job in the waiting list to place it on the plate.
5. Position the laser head over the workpiece.
6. Start the engraving process. 

**Info**

See the Software Manual for additional functions.  
When using the rotary engraving attachment, the autofocus is automatically deactivated.



### 9.8 Tips and tricks

#### 9.8.1 Tips and tricks for laser engraving

The **engraving depth** can be varied by varying laser power or engraving speed. To increase the engraving depth, reduce the speed or increase the power setting; thereby you increase the energy input per area unit. Too deep engraving, however, reduces the quality of the details. For coated materials, the required power depends on the kind and thickness of the coating. If the power setting is too high, the individual lines become too thick, and a sharp picture cannot be achieved. The resolution of the graphics should usually be 500 dpi. The dpi setting (number of laser dots per inch) depends on the material. The lower this setting is, the lower the resolution of the engraved picture will be. This, however, reduces flaming and increases the energy of a pulse, which can improve the overall result, e.g. when engraving some sorts of plastic materials.

##### **Protection foil:**

Generally, remove the protection foil from the engraving area. However, leave the protection foil on the area that is not to be engraved, to avoid scratching of the material. Protection foil can be useful to protect adjacent material from debris during cutting.

##### **Plastics:**

The majority of available plastics can be easily engraved and cut with the laser. As most plastic materials have a low melting point, a low PPI setting should be selected to reduce the danger of melting.

##### **Acrylic:**

There are two different types of acrylic – cast and extruded. The cast acrylic becomes white or mat after engraving, the extruded acrylic remains clear. Use extruded acrylic for engravings that are filled with paint and cast acrylic for normal engravings. Cast acrylic can be best engraved without protection foil. It is better to engrave the entire surface with a low energy setting.

##### **Photo Engraving:**

Scan the desired picture with a resolution of 300 dpi. Adjust brightness and contrast so that lighter colors become lighter and darker colors become darker. The photo may look better if you use a filter to sharpen the contours. Select a raster from the software. Use a raster with 20 to 100 lines per inch. Increasing the number of lines per inch decreases the size of the points. With increasing number of lines per inch, the size of the points decreases. If you cannot select a raster in your software, the printer driver will select the raster automatically.

## 9.8.2 Tips and tricks for laser cutting

### Distance to the surface of the workpiece

To achieve very good results when laser-cutting acrylic or wood, we recommend that the plate be attached at least some millimeters above the engraving table. By doing this, the smoke and the molten residues underneath the plate can escape unhindered. Slight moistening of the plate will reduce the area of heat influence. Generally the protection foil should be removed, except when there is considerable development of fumes. During laser cutting the Hz setting (pulses per second) should be set to a low value, in particular for flammable materials.

Activate the air assist for cutting in order to protect the lens from being soiled by material parts being blasted off.

### Multiple cutting

Often a clearer contour can be achieved by cutting twice rather than cutting only once.

## 9.8.3 Tips and tricks for the production of rubber dies

The various mixtures and densities of rubber plates cause a slightly varying engraving depth. The settings in the overview table give a good indication. Since engraving a standard rubber material requires relatively high laser power, the laser power is principally set to 100%, and only the speed is varied.

Due to their lower density, so-called micro-porous rubber materials allow significantly higher engraving speeds. Test the rubber first, to find out the correct speed setting.

The JobControl<sup>®</sup> software simplifies the creation of a stamp significantly. Mirroring as well as converting is performed automatically, and a cone-shaped shoulder is generated around each letter. Due to the wider base, the letters are stabilized during stamping, and therefore the imprint becomes clearer. If you engrave rubber dies without using this option, the letters will have no shoulders, making them very thin and unstable.

To avoid flaming, we recommend a low Hz setting near 1000 Hz for cutting the rubber die. The laser pulses are thus set apart from each other so far that their edges just touch. This results in a perforation. The rubber die stays connected to the rubber plate, but can be torn off easily. The advantage of this method is that there is practically no further risk of deformation or melting of the material. Furthermore, the entire plate can be removed from the laser at one time instead of having to collect all dies individually.

Engraving rubber produces a considerable amount of dust. Therefore a well-dimensioned exhaust system and its regular maintenance are very important. An appropriate Trotec exhaust system is recommended.

## 10 Maintenance

### 10.1 Safety notes



#### **DANGER**

##### **Improper maintenance can cause serious injury or damage.**

Maintenance may be carried out only by authorized, trained personnel who are familiar with how to operate the machine and in strict observance of all safety instructions.



#### **DANGER**

##### **Risk of fire or explosion**

Improper handling of the machine may cause fire or explosion.

For cleaning the machine, do not use explosive or flammable substances or cleaning agents.

No flammable or explosive liquids may be stored in or near the machine.

Always keep the system clean, and remove flammable parts from the working area or exhaust area.



#### **DANGER**

##### **Danger of electrical shock**

Work on electrical fittings may be carried out only by qualified personnel and in strict observance of the safety instructions.

Before any maintenance work takes place, disconnect the machine from the mains voltage and make sure the system is de-energized.

## 10.2 Maintenance schedule

System Components	Daily	Weekly	Monthly	Yearly
<b>Laser</b>				
Lens, mirror #4	Check Clean whenever required			
Mirrors #2 and #3			Every 6 month: Check Clean whenever required	
Ultrasonic sensor (Option)	Check Clean whenever required			
Working table and rulers	Check Clean whenever required			
Vent slots of exhaust box (inside the machine)	Check Clean whenever required			
Entire working area - general cleaning		Clean whenever required		
Vent slots (back of the machine)			Every 6 month: Check Clean whenever required	
Spindles				Clean and grease
Cover of the laser tube and housing		Clean whenever required		
Inside of the exhaust box			Every 6 month: Check Clean whenever required	
<b>Exhaust System</b>				
Bag filter	According to the manual of the exhaust system			
Filter mat				
Particle filter				
Activated carbon filter				

### Info

In order to ensure the maximum availability and lifetime of the system, we recommend that you regularly check the filter, ventilation and exhaust slots and keep the surrounding area clean. A visual inspection of the lenses is likewise recommended before switching on the system.

### 10.3 Cleaning the machine

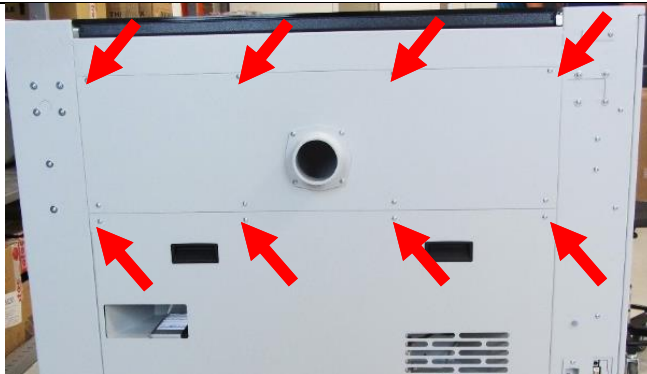
1. Move the engraving table into a position in which it is easiest for you to clean the surface with a window cleaning agent and paper towels.
2. Switch off and disconnect the machine from the mains.
3. Open the transparent acrylic top lid and front panel.



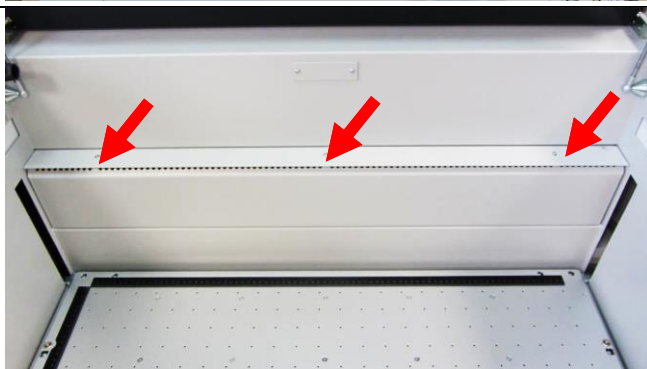
4. Thoroughly remove all loose dirt particles and deposits in the interior of the machine (e.g. with a vacuum cleaner or broom).
5. Clean the air guide plate and vent slots of the exhaust box inside the machine using a dry or damp cloth or brush.
6. Clean the cover of the laser tube and vent slots at the back of the machine using a dry or damp cloth.
7. Clean the transparent acrylic top lid using a dry or slightly damp cotton cloth. Do not use paper towels as they could scratch the acrylic.

## 10.3.1 Cleaning the exhaust box

When cleaning the machine, also clean the outside and inside of the exhaust box as well.



1. Remove the fixation screws of the exhaust box. (8 screws)



2. Unscrew and remove and clean the guide plate inside the machine. (3 screws)



3. Remove the exhaust box from the machine and clean it.



4. To clean the inside of the box, remove the exhaust connector. (4 screws)
5. The cleaning method depends on the material deposits (for example with the aid of a vacuum cleaner, wet cloth).

## 10.4 Cleaning the optics

For cleaning the optics Trotec recommends to use the cleaning set enclosed. Alternatively, use high-quality cotton swabs together with the provided cleaning liquid.

**Info** The following cleaning products are available as accessory parts:

- Lens cleaning cloth (Part no. 69249)
- Lens cleaning liquid (Part no. 69248)

### 10.4.1 Cleaning the lens



#### WARNING

##### Damage to optics

Soiled optics absorb laser radiation and can thus be destroyed. Broken or damaged lenses as well as thermal decomposition of lenses release particles which cause serious damage to the health.

- The passive reflectors and optics in the area of the beam guidance should be cleaned regularly.
- Special care is required when handling, attaching and cleaning these elements.
- Do not exert non-uniform pressure.
- Do not use tools or hard objects to clean the surface.
- Never touch the optics with your bare fingers.
- Never use cleaning tissues twice.
- When lenses get broken, damaged or thermal decomposed follow the protective measures.
- Disposal according to regulations and laws valid in the users' country.
- **Lenses with scratches or penetrations must not be used anymore!**

#### Step 1: Preparation

1. Blow away loose particles and dust by means of a bellows or compressed air (according to ISO 8573:2010 class 1).
2. Get the cleaning liquid and cleaning tissues ready.
3. Move the table up and put a cloth under the lens holder (so that the lens will not be damaged if it falls out of holder by accident).
4. Loosen the lens by screwing the clamping ring inward.
5. Now remove the lens and check the surface. Never touch the optics with your bare fingers.



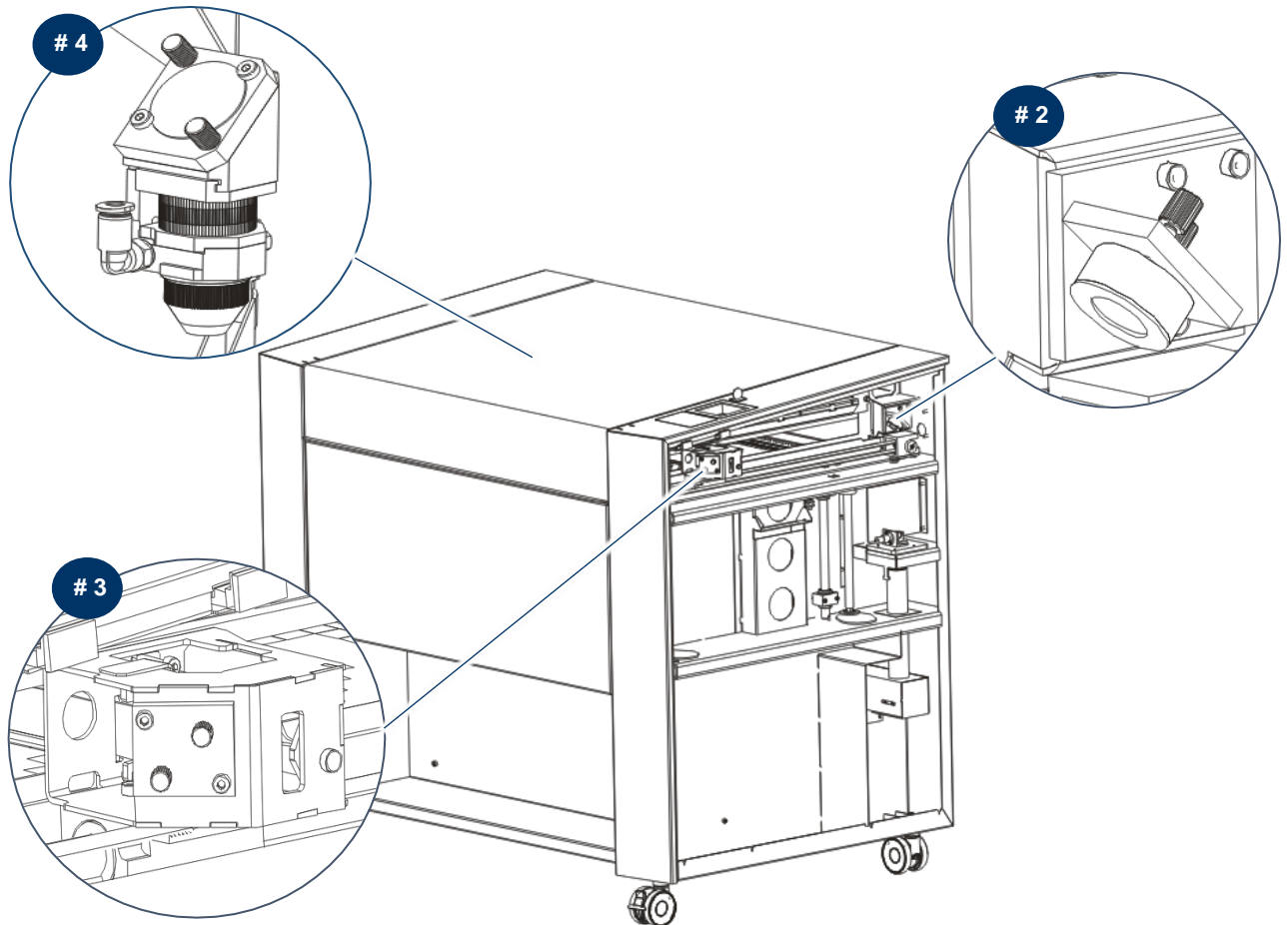
### Step 2: Cleaning with cleaning liquid and cleaning tissues

1. Remove the lens and rinse it with cleaning liquid to wash away coarse soiling.
2. Put some cleaning liquid onto the lens and leave the liquid for 1 minute to take effect.
3. Soak a cleaning tissue with cleaning liquid and carefully wipe off the surface.
4. Now carefully insert the lens with the lens holder into the laser head and fixate the clamping ring.





## 10.4.2 Cleaning the mirror

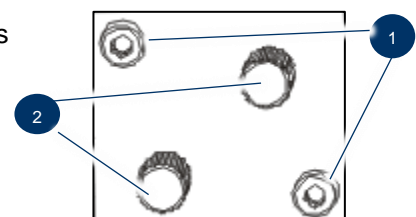


### 10.4.2.1 Cleaning the mirrors #2 and #3

1. Remove the right maintenance panel.
2. Do not remove the mirror #2. It must remain in the machine for cleaning.
3. Mirror #3 is attached by means of two allen screws (1), which are located on the mirror holder. Open the screws and remove the lens holder together with the mirror.

**Do not touch the milled screws (2) while doing this!**

4. Flush the mirror with cleaning liquid to wash away coarse soiling.
5. Put some cleaning liquid onto the mirror and leave the liquid for 1 minute to take effect.
6. Soak a cleaning tissue with cleaning liquid and carefully wipe off the surface.
7. Now carefully put back the mirror and fixate it with the two allen screws.



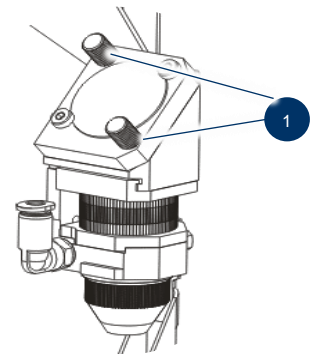
Mirror #3

### 10.4.2.2 Cleaning the mirror #4

1. While holding the mirror, loosen the two knurled screws (1) and lift the mirror from the mirror holder.

**Notice** Make sure that the mirror does not grind over the mirror holder, as it can be scratched very easily

2. Flush the mirror with cleaning liquid to wash away coarse soiling.
3. Put some cleaning liquid onto the mirror and leave the liquid for 1 minute to take effect.
4. Soak a cleaning tissue with cleaning liquid and carefully wipe off the surface.
5. Now carefully re-insert the mirror and fixate it with the two knurled screws.



### 10.5 Cleaning the ultrasonic sensor (Option Sonar Technology™)

The sensor can be cleaned either with a brush, or be wiped drily, with moisture or with mild detergents and a microfiber or anti-statics cloth. In case of stronger soiling, isopropyl or ethanol solution can be used.

Avoid long application time and long-term usage.

## 11 Troubleshooting

This chapter should enable the maintenance personnel to identify and resolve operational faults based on error messages and symptoms.



### DANGER

#### Risk of fire from incorrect parameter settings

Laser operation with incorrect parameter settings such as power settings, speed or frequency can result in flame formation.

Laser operation permitted only under supervision.

### Notice

System failures that cannot be remedied can cause damage to the machine.

- Disconnect the machine from the mains and contact your local support team.

### 11.1 Errors, cause and resolutions

Problem	Possible Cause	Resolution
<b>Too low engraving depth</b>	<ul style="list-style-type: none"> <li>↗ Imprecise focusing</li> <li>↗ Dirty optics</li> </ul>	<ul style="list-style-type: none"> <li>↗ Check focus</li> <li>↗ Clean optics</li> </ul>
<b>Blurred edges</b>	<ul style="list-style-type: none"> <li>↗ Imprecise focusing</li> </ul>	<ul style="list-style-type: none"> <li>↗ Check focus</li> </ul>
<b>Missing cut lines</b>	<ul style="list-style-type: none"> <li>↗ Zero passes in material database</li> <li>↗ Line thickness in Corel Draw too big</li> <li>↗ Color was skipped in JobControl®</li> </ul>	<ul style="list-style-type: none"> <li>↗ Increase the amount of passes in the JobControl® material database</li> <li>↗ Reduce line thickness to smallest possible value</li> <li>↗ Set color to cutting in the JobControl® database</li> </ul>
<b>Waviness of the lines</b>	<ul style="list-style-type: none"> <li>↗ Lens is loose</li> </ul>	<ul style="list-style-type: none"> <li>↗ Check lens and lens holder</li> </ul>
<b>No visible marking result</b>	<ul style="list-style-type: none"> <li>↗ Too low laser power</li> <li>↗ Too high speed</li> <li>↗ Not focused</li> <li>↗ Wrong focus tool</li> </ul>	<ul style="list-style-type: none"> <li>↗ Increase power setting</li> <li>↗ Reduce speed</li> <li>↗ Check focus</li> <li>↗ Change focus tool</li> <li>↗ When using Auto focus, check the settings within the software (lens, material thickness, table)</li> </ul>

Problem	Possible Cause	Resolution
<b>Fine details on stamps are engraved too thinly</b>	<ul style="list-style-type: none"> <li>↗ Too steep shoulders</li> </ul>	<ul style="list-style-type: none"> <li>↗ Choose other shoulder or edit (flat/medium/steep): Options/Process Options/Stamp</li> </ul>
<b>The size to be engraved or cut does not match the size in Corel Draw</b>	<ul style="list-style-type: none"> <li>↗ Raster correction ON in JobControl<sup>®</sup></li> <li>↗ Wrong size settings in the printer driver</li> <li>↗ Wrong image position is selected in the layout tab (printing)</li> <li>↗ Wrong machine is selected in the JobControl<sup>®</sup></li> </ul>	<ul style="list-style-type: none"> <li>↗ Switch off raster correction in JobControl<sup>®</sup> (settings/advanced options/laser tab)</li> <li>↗ Use the same size as in Corel draw</li> <li>↗ Switch the layout settings to: as in document</li> <li>↗ Select the proper machine in JobControl<sup>®</sup></li> </ul>
<b>Corners and angles are not cut or marked</b>	<ul style="list-style-type: none"> <li>↗ Power too low</li> </ul>	<ul style="list-style-type: none"> <li>↗ Increase the correction in JobControl<sup>®</sup> (Settings / Material Templates Setup—Correction)</li> </ul>
<b>No referencing after startup</b>	<ul style="list-style-type: none"> <li>↗ Top, front or side door not closed</li> </ul>	<ul style="list-style-type: none"> <li>↗ Close doors</li> </ul>
<b>No response upon switching on of the system</b>	<ul style="list-style-type: none"> <li>↗ Fuse blown</li> <li>↗ No electric power at power outlet</li> </ul>	<ul style="list-style-type: none"> <li>↗ Check fuses</li> <li>↗ Check power outlet</li> </ul>
<b>No communication with machine</b>	<ul style="list-style-type: none"> <li>↗ Invalid COM port selection</li> <li>↗ Communication cable defect</li> <li>↗ COM: port is in use by another program</li> </ul>	<ul style="list-style-type: none"> <li>↗ Change selection</li> <li>↗ Check cable</li> <li>↗ Close this program, or change the COM port</li> </ul>
<b>Connection to machine frequently interrupted</b>	<ul style="list-style-type: none"> <li>↗ Electromagnetic emissions</li> </ul>	<ul style="list-style-type: none"> <li>↗ Make sure that machine and computer are connected to the same electric circuit; the original cable lengths should not be exceeded</li> </ul>

Problem	Possible Cause	Resolution
Offsets between engraving jobs and cut lines	↗ Speed too high	↗ Reduce speed
Other faults		↗ Contact Trotec support

## 12 Contact details

### 12.1 Technical Support

In case of questions, contact our experienced local technical support team.

For global service contact numbers and further information please see our website, section "Support":

[www.troteclaser.com](http://www.troteclaser.com)

When calling, please make sure that the machine is in your immediate vicinity, and that you have the following information ready (see response form):

- What happened and what you were doing when the problem arose.
- What you have done so far to correct the problem.
- Serial no (see type plate)
- Error code

### 12.2 Local Offices / Sales

Our store locator and detailed information on our offices in your area can be found on our website in section "Contact", "Local Office":

[www.troteclaser.com](http://www.troteclaser.com)

### 12.3 Technical Documentation

For feedback or to suggest changes to this manual, contact:

Technical documentation: +43 (0) 7242 239 - 7000

E-mail: [techsupport@troteclaser.com](mailto:techsupport@troteclaser.com)

## 13 Disassembly



### WARNING

#### Danger of injury when disassembling the machine

There is danger of injury when disassembling the machine.

Always wear suitable protective clothing (e.g. safety goggles, safety shoes, safety gloves).



### DANGER

#### Electric current

The machine must be disconnected from the main power supply.

#### Info

Always use suitable tools to disassemble the machine.

Mind the springs!

**Follow chapter "Disposal note"!**

Disassembly sequence:

- Remove all workpieces from the system.
- Turn the key switch to switch off the machine.
- Switch off the main switch at the back of the machine.
- Remove the exhaust system.
- Disconnect all cables at the back of the machine.

## 14 Disposal



### Do not dispose of the machine with domestic waste!

Electronic devices have to be disposed of according to the regional directives on electronic and electric waste disposal. In case of further questions, please ask your supplier.

Use suitable tools if you have to disassemble the machine. All parts need to be sorted into the individual material types and be disposed of according to the regional directives on electronic and electric waste disposal.

**15 Appendix**

**15.1 Acceptance form**

Dear customer!

We request your confirmation of properly completed transfer of the machine

**Please transmit a copy of this document – filled out and signed by an authorized company representative – to an employee of our sales affiliate for forwarding to the manufacturer.**

**Thank you very much.**

Please check applicable items:

- Machine parts checked for shipping damage
- Machine parts checked against delivery note
- Setup of the machine discussed
- Startup of the machine discussed
- Operation of the machine discussed
- Maintenance of the machine discussed
- Electrical voltage checked
- Safety notes discussed
- Trial run performed
- Deficiencies determined

The machine with the machine designation:

has been checked according to the listed items and has been handed over properly.

\_\_\_\_\_  
City, Date

Instructed person:

\_\_\_\_\_  
Name/position

\_\_\_\_\_  
Company stamp / Signature



15.2 Training verification form

Employee/Trainee:.....

Trainer:.....

Date of Training: .....

The employee named above was instructed in the operation of the ..... laser system.  
Especially the following topics were covered:

- 1. Machine Function
- 2. Danger Areas
- 3. Warnings
- 4. Position of **Emergency Stop** Button
- 5. Personal Protective Equipment
- 6. Operating Equipment
- 7. Work Flow
- 8. Setting Up
- 9. Taking into Service and Shutdown
- 10. Reporting of Unexpected Working Results and Actions to Be Taken
- 11. Reporting of Failure and Actions to Be Initiated
- 12. Responsibility for Troubleshooting
- 13. Manual and its Storage Location for Inspection

.....  
Signature of Trainer

.....  
Signature of Trainee

## 15.3 Response form

In case of any trouble with the machine, please provide the following information and additionally create a service file (the procedure for creation of a service file is described on the following pages).

Date	
------	--

### Machine Details

Serial Number	
JobControl <sup>®</sup> Version	
Driver Version	
Layout Software	
Firmware Version	

### Contact Details

First Name	
Last Name	
Country	
Phone	
Email	

### Problem Description

--

Does an error message show up on the PC; if so, which?

--

What happened before the error occurred? (Thunder & Lightning, Windows-Update, ...)

--

What attempts were made to solve the problem?

--

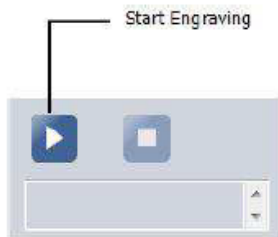
Please send the information to your sales representative, your local support or to [techsupport@troteclaser.com](mailto:techsupport@troteclaser.com).

## 15.4 How to create a service file

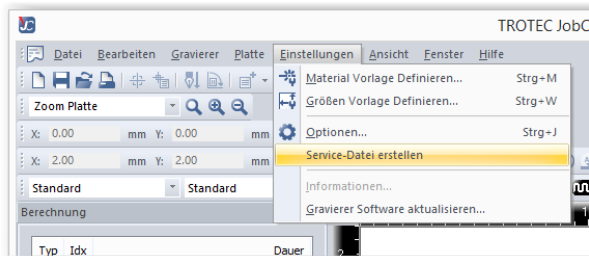
1. Start JobControl®.
2. Position the job that may cause the error on the plate.

This can be done by either:

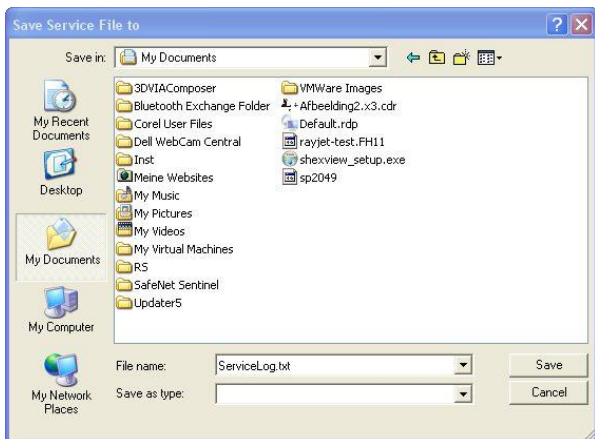
- double clicking on the job in the queue
- single-clicking the job in the queue and dragging it onto the plate
- single-clicking the job in the queue and then clicking on the icon “Position Job”



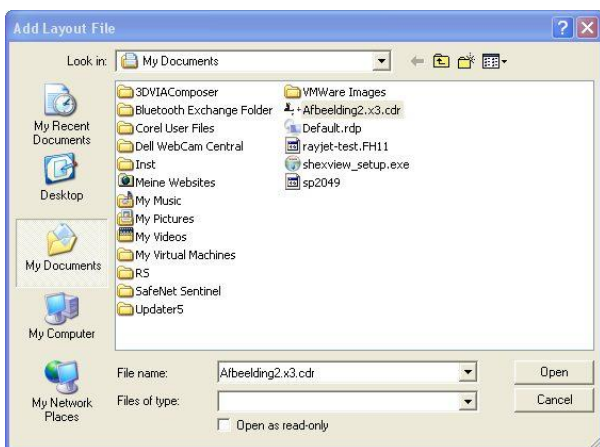
3. Run the job and leave the job on the plate.



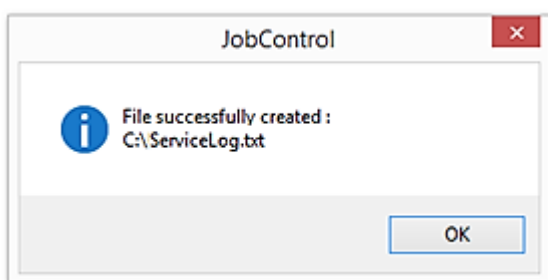
4. Go to “Settings” > “Create Service File”.



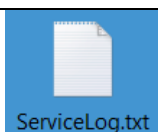
5. The window „Save Service File to” shows up.
6. Select a directory to save the file into and click on „Save”.



7. The window „Add Layout File” appears.
8. Please select the layout file that was sent to JobControl<sup>®</sup> and possibly caused a failure (e.g.: a CorelDraw file, Photoshop file, AutoCAD file,...). Now click on „Open”.



9. The following window shows the location to which the successfully created service file was saved.



10. Send the service file “SeviceLog.txt” together with a screenshot of the error message and a detailed description to your sales representative or to [techsupport@troteclaser.com](mailto:techsupport@troteclaser.com).