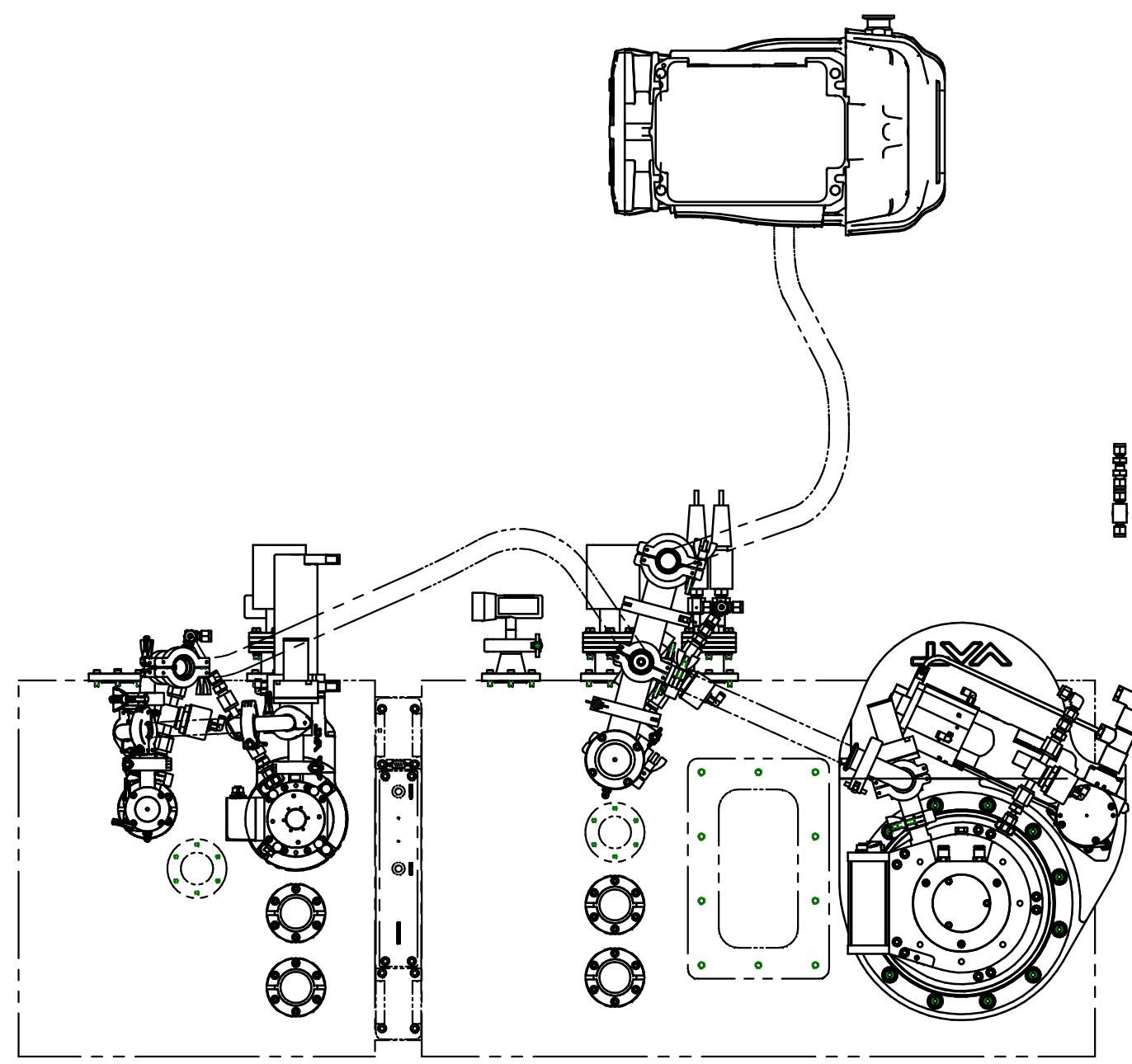
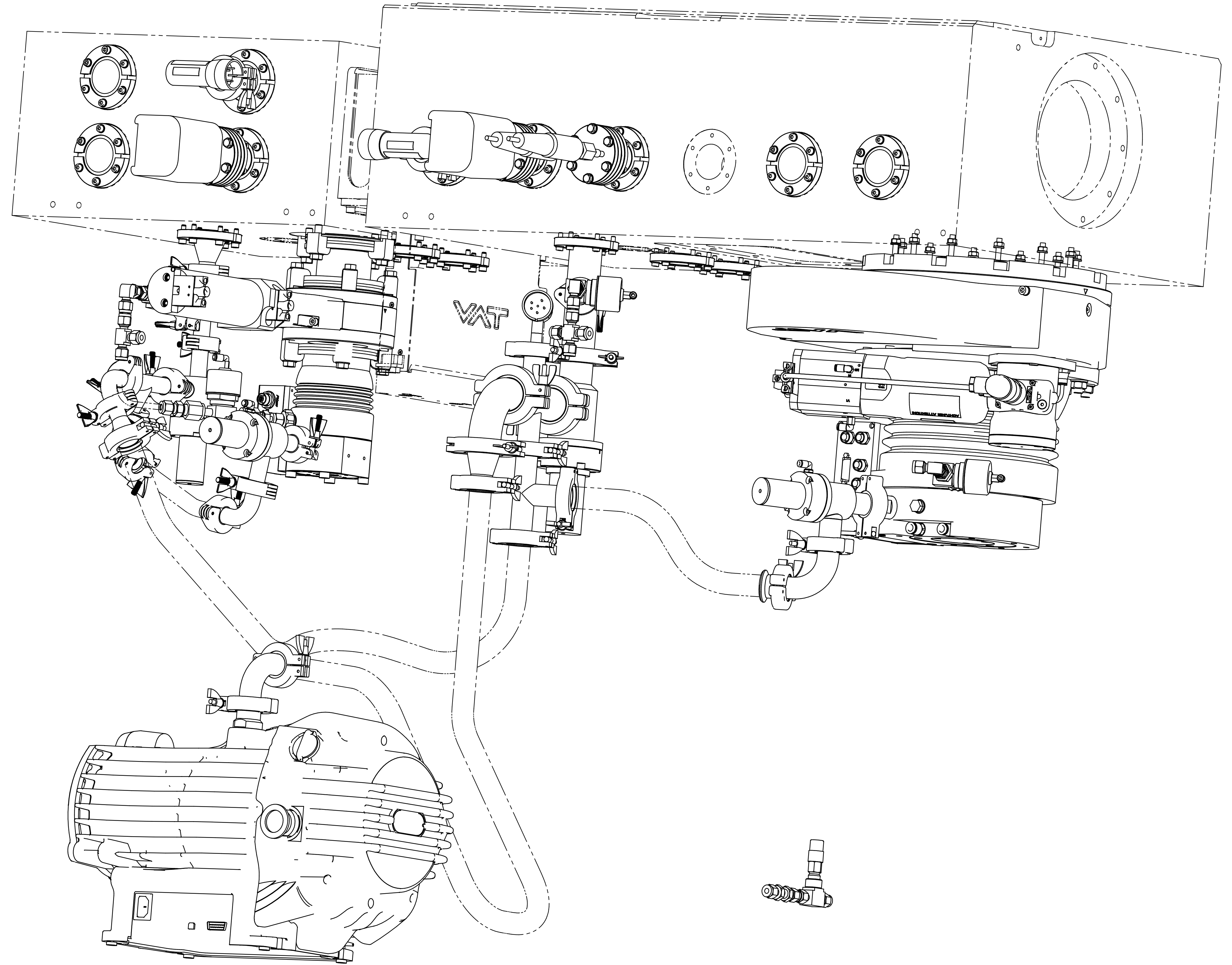


REAR VIEW
1/8



BOTTOM VIEW
1/8



1/2.5

SYMBOL LEGEND		UNLESS OTHERWISE SPECIFIED REFER TO DOCUMENT ENW-1201, KJLC 2D STANDARD TOLERANCES AND MANUFACTURING PRACTICES	
REVISION		MACHINED TOLERANCES (UNLESS OTHERWISE NOTED)	FABRICATION/WELDMENT TOLERANCES (UNLESS OTHERWISE NOTED)
ITEM BALLOON		DIMENSIONS ARE IN INCHES	
		DIMENSIONS ARE IN MILLIMETERS	
FOCAL POINT			
FOCAL POINT DESIGNATOR			
INSPECTION BALLOON			
WATER TRACE IDENTIFICATION			
CENTER OF GRAVITY IDENTIFICATION			

1925 Route 61
Jefferson Hill, PA
15025-9618 USA
Phone: 1-800-245-1656
Web: www.lesker.com

Kurt J. Lesker Company
Enabling Technology for a Better World

NOTE: THIS DRAWING AND ITS CONTENT IS THE CONFIDENTIAL AND PROPRIETARY INFORMATION OF KURT J. LESKER COMPANY AND CAN NOT BE DISCLOSED OR USED EXCEPT WITH THE EXPRESS WRITTEN PERMISSION OF KURT J. LESKER COMPANY.

PRODUCT NAME: **VAC SCHEM - PC 800 TURBO, 3 POS PENDULUM - LLK 80 TURBO**

ITEM NUMBER: **PTN112684-0300**

SKU: **SKU0354617**

REV: **0**

ECO	ECO	RELEASED FOR CUSTOMER APPROVAL	SAB	03/02/2021
REV	ECO	REVISION CATEGORY	APPROVED	DATE

SIZE	FOR REFERENCE ONLY	SCALE	DOCUMENT TYPE	DESIGN GROUP	DESIGNED BY	DRAWN BY	DATE
D	NTS	ASSEMBLY	ASSEMBLY	PED ME	DEC	DEC	2/11/2021

MATERIAL SPECIFICATION: **212.35 lbs**

SHEET: **2 OF 2**