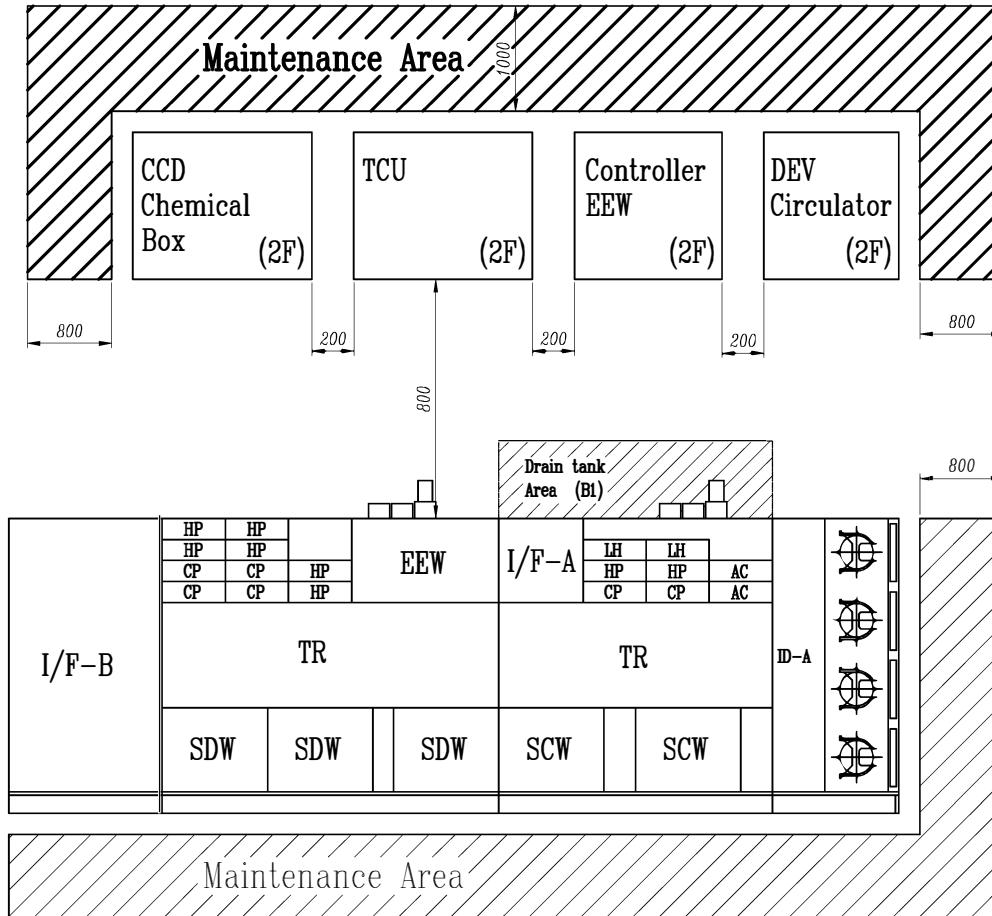
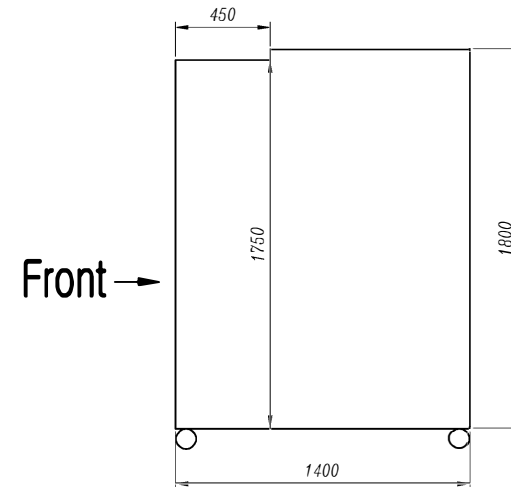


DNS SK-W80B-BVPE



Power Box
(1F)

		Dimensions (WxVxH)	Weight
1	Main	4230x1400x1800	2700kg
2	CCD Chemical Box	850x700x1900	300kg
3	TCU	850x700x1900	300kg
4	Controller EEW	700x700x1900	300kg
5	DEV circulator	640x700x770	100kg
6	Power Box	410x600x1150	200kg



Surface Treatment	Designed	Checked	Approved	Material	System :
H				Qty	
Rev.				Scale	
6					